

# SKF TIH 030m



Instructions for use  
Bedienungsanleitung  
Instrucciones de uso  
Mode d'emploi  
Manuale d'istruzioni

Instruções de uso  
Инструкция по эксплуатации  
使用说明书  
Betjeningsvejledning



EN	English	2
FR	Français	14
DE	Deutsch	26
ES	Español	38
IT	Italiano	50
PT	Português	62
ZH	中文	74
RU	Русский	86
DA	Dansk	98

**Table of contents**

**EC Declaration of conformity .....3**

**UK Declaration of conformity.....3**

**Safety recommendations.....4**

**1. Introduction .....5**

    1.1 Intended use..... 5

    1.2 Principle of operation..... 5

    1.3 Distinguishing features ..... 6

**2. Description.....6**

    2.1 Components ..... 6

    2.2 Technical data..... 7

**3. Installation of mains plug .....8**

**4. Preparation for use .....8**

**5. Operation .....9**

    5.1 Function of displays..... 9

    5.2 Function of buttons ..... 9

    5.3 Temp mode..... 9

    5.4 Time mode.....10

    5.5 Temperature measurement .....10

    5.6 Change of temperature unit.....10

    5.7 Demagnetisation.....11

    5.8 Power level selection.....11

**6. Safety features .....12**

**7. Troubleshooting .....12**

**8. Spare parts .....13**

**9. Maintenance.....13**

**Original instructions**

## EU Declaration of Conformity TIH 030m

We, SKF MPT, Meidoornkade 14, 3992 AE Houten, The Netherlands herewith declare under our sole responsibility that the products described in these instructions for use, are in accordance with the conditions of the following Directive(s):

EUROPEAN LOW VOLTAGE DIRECTIVE 2014/35/EU

EMC DIRECTIVE 2014/30/EU

RoHS Directive (EU) 2015/863 and the harmonized standard:

EN IEC 63000:2018:

Technical documentation for the assessment of electrical and electronic products with respect to the restriction of hazardous substances.

EN61000-6-3:2007 /A1:2011

EN61000-6-2:2005

EN61000-4-2

EN61000-4-3

EN61000-4-4

EN61000-4-5

EN61000-4-6

EN61000-4-8

EN61000-4-11

Houten, The Netherlands, January 2022

Mrs. Andrea Gondová  
Manager Quality and Compliance



## UK Declaration of Conformity TIH 030m

We, SKF MPT, Meidoornkade 14, 3992 AE Houten, The Netherlands herewith declare under our sole responsibility that the products described in these instructions for use, are in accordance with the conditions of the following Directive(s):

Electrical Equipment (Safety) Regulations 2016 (2016 No. 1101)

Electromagnetic Compatibility Regulations 2016 (2016 No. 1091)

The Restriction of the Use of Certain Hazardous Substances in Electrical and Electronic Equipment Regulations 2012 (2012 No. 3032) and the harmonized standard: EN IEC 63000:2018:

Technical documentation for the assessment of electrical and electronic products with respect to the restriction of hazardous substances.

EN61000-6-3:2007 /A1:2011

EN61000-6-2:2005

EN61000-4-2

EN61000-4-3

EN61000-4-4

EN61000-4-5

EN61000-4-6

EN61000-4-8

EN61000-4-11

The person authorised to compile the technical documentation on behalf of the manufacturer is SKF (U.K.) Limited, 2 Canada Close, Banbury, Oxfordshire, OX16 2RT, GBR.

Houten, The Netherlands, January 2022

Mrs. Andrea Gondová  
Manager Quality and Compliance





### **Safety recommendations**

- Because the TIH 030m generates a magnetic field, people wearing a pacemaker must not be within 5 m (16 ft) of the TIH 030m during operation. Electronic equipment, such as wristwatches, may also be affected.
- During the heating process observe a safety distance of 50 cm (1.6 ft) with the workpiece, the heater coil or the core.
- Follow the operating instructions at all times.
- Be certain that the voltage supply is correct.
- Electrical arcing may occur when a potential difference exists between the TIH 030m and the workpiece. This is not dangerous to human beings and will not cause damage to the TIH 030m or the workpiece. However, the TIH 030m must never be used in areas where there is a risk of explosion.
- Do not expose the TIH 030m to high humidity.
- Never operate the TIH 030m without a yoke in position.
- Never operate the TIH 030m with the cable of the remote control between the vertical supports of the yoke.
- Do not modify the TIH 030m.
- Use proper handling equipment when lifting heavy workpieces.
- Avoid contact with hot workpieces. Wear the supplied heat resistant gloves to handle hot workpieces.

# 1. Introduction

The SKF TIH 030m induction heater is designed to heat bearings that are mounted with an interference fit onto a shaft. The heat causes the bearing to expand, which eliminates the need to use force during installation. A 90 °C (162 °F) temperature difference between the bearing and shaft is generally sufficient to enable installation. At an ambient temperature of 20 °C (68 °F), the bearing must therefore be heated to 110 °C (230 °F).

## 1.1 Intended use

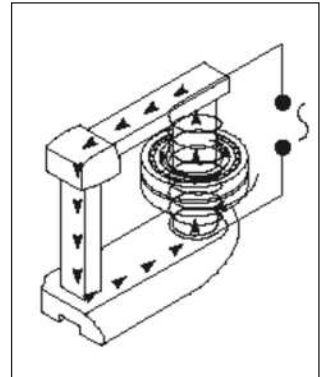
The TIH 030m has been designed to heat rolling bearings. However, other metalworkpieces that form a closed circuit can also be heated. Examples of acceptable workpieces include bushings, shrink rings, pulleys, and gears. All bearings that fit over the inductive coil and between the vertical supports with the top yoke in place can be heated using the TIH 030m. In addition, smaller bearings can be placed over any of the three standard yokes. See the illustrations at the beginning of this manual for examples.

## 1.2 Principle of operation

The TIH 030m generates heat by means of a large electrical current that is magnetically induced in the workpiece by a coil within the heater.

The high voltage, low current electricity flowing through the large number of windings in the inductive coil induces low voltage, high current electricity in the workpiece. Because the workpiece has the electrical characteristics of a coil with a single, short-circuited winding, the high current generates heat within the workpiece.

Because the heat is generated within the workpiece, all of the heater components remain cool.



### 1.3 Distinguishing features

- Remote control panel  
To improve the ease of use and to diminish the risk of contact with the hot bearing during operation, the TIH 030m heater is supplied with a remote control panel which can be detached from the heater.
- Inductive coil  
When heated the workpiece is located at the same position on the core as the inductive coil. This design improves efficiency, resulting in less power consumption and faster heating, which reduce the cost to heat each bearing.
- Folding bearing supports  
To support large bearing positioned around the inductive coil the TIH 030m induction heater is fitted with folding bearing supports. See the illustrations at the beginning of this manual.
- Yoke storage  
All three yokes can be stored inside the heater. Two yoke storage are located behind the folding bearing supports. Storage of the small and medium yokes is in the yoke storage at the heater circuit breaker side.  
Storage of the large yoke is in the yoke storage at the heater mains cable side.  
See the illustrations at the beginning of this manual.

## 2. Description

The operation of the heater is controlled by the internal electronics in either of two modes. The operator can either select the desired temperature of the bearing in TEMP MODE or set the length of time that the bearing will be heated in TIME MODE. The power level can be adjusted to 100% or 50% for slower heating of sensitive workpieces (for example, bearings with C1 or C2 clearance).

### 2.1 Components

The TIH 030m induction heater contains a U-shaped iron core with an inductive coil surrounding one of the vertical supports. A detachable remote control panel is included. The remote control electronics and the internal electronics control the operation of the heater. A removable yoke on the top of the vertical supports allows the workpiece to be placed onto the heater. To accommodate smaller workpieces, two smaller yokes are also provided. A temperature probe is also included with the heater. Heat-resistant gloves are also included.



## 2.2 Technical data

TIH 030m	
Voltage (± 10%)	230 V / 50 - 60 Hz or 110 V / 50 - 60 Hz
Recommended line protection	10 A fuse rating for 230 V 20 A fuse rating for 110 V
Power consumption (maximum)	2,0 kVA
Temperature control	0 - 250 °C (32 - 482 °F); in steps of 1°
Probe type	Thermocouple, K type
Probe maximum temperature	250 °C (482 °F)
Time mode	0-60 minutes; in steps of 0,1 minute
Power range	100% - 50%
Demagnetization	automatic; residual magnetism <2A/cm
Overall dimensions (w x d x h)	460 x 200 x 260 mm (18.1 x 7.9 x 10.2 in)
Area between supports (w x h)	100 x 135 mm (3.9 x 5.3 in)
Coil diameter	95 mm (3.7 in) For minimum bearing bore diameter of 100 mm (3.9 in)
Weight (with yokes)	20,9 kg (46.0 lbs)
Workpiece maximum weight	bearing: 40 kg (88 lbs); solid component: 20 kg (44 lbs)
Maximum heating temperature	approx. 250 °C (482 °F) Depending on bearing or workpiece weight. For higher temperatures, please contact SKF.
$m_{20}^*$	28 kg (bearing 23136)
Standard yoke dimensions:	For minimum bearing bore diameter of:
45 x 45 x 215 mm (1.7 x 1.7 x 8.4 in)	65 mm (2.6 in)
28 x 28 x 215 mm (1.1 x 1.1 x 8.4 in)	40 mm (1.6 in)
14 x 14 x 215 mm (0.6 x 0.6 x 8.4 in)	20 mm (0.8 in)

\* $m_{20}$  represents the weight (kg) of the heaviest SRB 231 bearing that can be heated from 20 to 110 °C (68 to 230 °F) in 20 minutes.

### 3. Installation of mains plug

A qualified electrician must install a suitable mains plug. The correct supply voltage is shown in section 2.2.

The wires should be connected as follows:

TIH 030m/230V, TIH 030m/110V	
Colour of TIH 030m wire	Mains supply terminal
yellow / green	ground
blue	neutral
brown	phase 1

Verify that the correct fuse is installed. See section 2.2 for fuse rating specifications.

### 4. Preparation for use

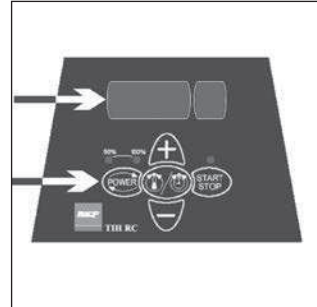
- Place the TIH 030m in the horizontal position on a stable surface.
- Connect the mains plug to a suitable mains supply.
- Plug the remote control into the connector on the carrying handle side of the heater.
- For workpieces with an internal diameter large enough to fit over the inductive coil, follow these steps:
  - Place the workpiece over the inductive coil using appropriate lifting equipment.
  - For best performance, adjust the position of the workpiece so that the inductive coil is in the centre.
  - Position the largest yoke so that it completely covers the top of both vertical supports.
- For workpieces that do not fit over the inductive coil, follow these steps:
  - Choose the largest of the three yokes that fit through the internal diameter of the workpiece.
  - If necessary, remove the top yoke from the TIH 030m.
  - Slide the workpiece onto the yoke that you have selected.
  - Position the yoke on the TIH 030m with the bright underside resting evenly on the two vertical supports.
- If you will use TEMP MODE, plug the temperature probe into the connector on the carrying handle side of the heater. Place the magnetic end of the probe on the inner ring of the bearing or on the innermost surface of the workpiece.
- Switch on the TIH 030m.
- Observe the self-test of the remote control display and signal tone.

## 5. Operation

### 5.1 Function of displays

- The remote control display shows the selected time or temperature for heating.
- The power LED's show the selected power setting.

Display	Indication
t	time in minutes
°C	temperature in degrees Celcius
°F	temperature in degrees Fahrenheit



### 5.2 Function of buttons

Button	Function
POWER	Press to adjust the power The selected power is indicated with an LED
MODE	Press to switch between TIME MODE and TEMP MODE
UP (+)	Press to increase the value shown on the remote control display
DOWN (-)	Press to decrease the value shown on the remote control display
START / STOP	Press to start or stop the heater The LED on the START / STOP button is lit when the heater is heating and flashes during temperature measurement

### 5.3 Temp mode

- If the remote control display shows 't', press MODE to select TEMP MODE. The remote control display shows °C or °F in TEMP MODE.
- The selected temperature is shown on the remote control display. The default temperature for bearings is 110 °C (230 °F). If a different temperature is desired, press UP or DOWN to adjust the temperature in steps of 1°.
- It may be desirable to heat bearings to temperatures above 110 °C (230 °F) for increased mounting time. Consult the SKF bearing specifications to determine the maximum permitted temperature. Always ensure the bearing does not lock due to an excessive expansion of the inner ring compared to outer ring. See section 5.8.
- If needed press POWER to select the power level. Use the guidelines in section 5.8 to determine the correct power setting.
- Make sure the temperature probe is mounted on the bearing inner ring.
- Press START / STOP to start the heater. The remote control display shows the current temperature of the workpiece.

- During heating the selected temperature can be displayed for 1 second by pressing MODE.
- When the selected temperature has been reached, the heater demagnetises the workpiece, switches off, and generates an acoustic signal for 10 seconds or until START / STOP is pressed.
- Press START / STOP to stop the heater.
- Remove the workpiece with proper handling equipment.
- If the workpiece remains on the heater, the heater will start again when the temperature of the workpiece drops 10 °C (18 °F). Press START / STOP to stop the heater and demagnetise the workpiece.
- The TIH 030m is now ready to heat another workpiece with the same settings.

#### 5.4 Time mode

- If the remote control display shows °C or °F, press MODE to select TIME MODE. The remote control display shows 't' in TIME MODE.
- Press UP or DOWN to adjust the time in steps of 0.1 minute.
- Press POWER to select the power level. Use the guidelines in section 5.8 to determine the correct power setting.
- Press START / STOP to start the heater. The remote control display shows the time that remains.
- During heating the temperature measured by the probe can be displayed for a couple of seconds by pressing MODE.
- When the time has elapsed, the heater demagnetises the workpiece, switches off, and generates an acoustic signal for 10 seconds.
- Press START / STOP to cancel the acoustic signal and stop the heater.
- Remove the workpiece with proper handling equipment.
- The TIH 030m is now ready to heat another workpiece with the same settings.

#### 5.5 Temperature measurement

When the heater is not operating, the temperature of the workpiece can be measured by pressing MODE and START / STOP at the same time.

The LED on the START / STOP button flashes during temperature measurement.

Press START / STOP to cancel temperature measurement.

#### 5.6 Change of temperature unit

Press MODE and UP at the same time to switch between °C and °F.

The temperature unit setting remains the same even after disconnection from mains power.

## 5.7 Demagnetisation

The workpiece is automatically demagnetised when heating is complete.

Demagnetisation will not occur if the power is interrupted or the main switch is switched off. To use the TIH 030m for demagnetisation only, select TIME MODE and set the time to 0.1 minute (6 seconds).

## 5.8 Power level selection

When heating bearings with an induction heater, most of the heat will be generated in the inner bearing race. The heat will then be transferred through the bearing. It is therefore important that bearings with small internal clearance or slight preload are heated slowly. Slow heating ensures that the bearing expands evenly, thereby preventing damage to the bearing.

The shape, weight, size, and internal clearances all affect the amount of time required to heat a bearing. The large variety of bearing types precludes the possibility of providing a specific power level setting for each type. Instead, the following guidelines are provided:

- For sensitive bearings (including bearings with C1 or C2 internal clearance) or bearings with brass cages, do not exceed 50% power.
- When using the small yoke, never exceed 50% power.

## 6. Safety features

The TIH 030m is equipped with the following safety features:

- Automatic overheating protection
- Automatic current control
- Over-current circuit breaker.
- In the TEMP MODE the heater will switch off if the temperature probe does not register a temperature increase of 1°C (1.8°F) every 15 seconds (0.25 minute). To increase the interval to 30 seconds (0.50 minute), press MODE and DOWN at the same time.

## 7. Troubleshooting

A system fault will be indicated by an acoustic signal and one of the following fault codes on the remote control display:

Display	Fault	Action
E03 E	Overheated coil	Wait until the inductive coil cools Switch the heater OFF and then back ON
E05 E	Temperature increase of less than 1°C (1.8°F) every 15 seconds (or 1° every 30 seconds)	Check the temperature probe connection If the connection is OK, select the 30 second interval as described in section 6 or operate the heater in TIME MODE
E06 E	Temperature probe not connected (or defective) or excessive temperature drop	Check the temperature probe
E10E	Electronics communication problem	Switch the heater OFF and then back ON If problem remains return the TIH to SKF for repair
E11E	Electronics communication problem	Switch the heater OFF and then back ON If problem remains return the TIH to SKF for repair
E12E	Electronics communication problem	Switch the heater OFF and then back ON If problem remains return the TIH to SKF for repair

## 8. Spare parts

Designation	Description
TIH 030-P230V	Power print 230V - 200 - 240V, 50 - 60 Hz
TIH 030-P110V	Power print 110V - 100 - 120V, 50 - 60 Hz
TIH 030-Y7	Yoke 45 x 45 x 215 mm
TIH 030-Y6	Yoke 40 x 40 x 215 mm
TIH 030-Y4	Yoke 28 x 28 x 215 mm
TIH 030-Y3	Yoke 20 x 20 x 215 mm
TIH 030-Y2	Yoke 14 x 14 x 215 mm
TIH 030-YS	Support yoke set - 45 x 45 x 100 mm (2x)
TIH CP	Control print
TIH RC	Remote control
TIH CB10A	Circuit breaker 10A for TIH 030M/230V
TIH CB20A	Circuit breaker 20A for TIH 030M/110V
TIH P20	Temperature probe K type incl. cable and plug
LGAF 3E/0.035	Tube of anti-fretting paste for heater maintenance

## 9. Maintenance

The correct maintenance of the heater is important to achieve the full service life of the product, ensure the best performance and avoid related risks.

The following advises should be taken into consideration before using the product:

- Check that there are no damages in the housing.
- Check that there are no damages in the insulation of the cable and in the plug. If so, replace them.
- Check that the lamination of the yoke is not broken. If the delamination get's too much, then replace the yoke with a new one to avoid extreme noise and efficiency losses.
- Check that the yoke is in good contact with the U-shaped core. The contact area should be clean and rust-free. There should not be air gaps between the surfaces. Non-parallel surfaces might generate vibrations and loud noises and cause efficiency losses.
- Check that the closing system (if any, sliding rails or swiveling hinge) is not damaged.
- Check that the temperature probe, cable and plug are clean and not broken. Otherwise the temperature reading and control might not work properly.

When required and at regular intervals:

- Clean the heater using only a clean dry cloth.
- Clean the contact surfaces in between the yoke and the U-shape core. Add a layer of LGAF 3E anti-fretting paste to protect the surface area. This will help to keep the surfaces rust-free, reduce the heater noise and maintain heater efficiency.
- Adjust the closing swivel system if required by using the screws in the hinge.

## Table des matières

<b>Déclaration de conformité CE .....</b>	<b>15</b>
<b>Recommandations de sécurité .....</b>	<b>16</b>
<b>1. Introduction .....</b>	<b>17</b>
1.1 Utilisation prévue.....	17
1.2 Principe de fonctionnement.....	17
1.3 Caractéristiques distinctives.....	18
<b>2. Description.....</b>	<b>18</b>
2.1 Composants.....	18
2.2 Caractéristiques techniques.....	19
<b>3. Installation de la prise secteur.....</b>	<b>20</b>
<b>4. Préparation pour utilisation.....</b>	<b>20</b>
<b>5. Fonctionnement .....</b>	<b>21</b>
5.1 Fonction des écrans.....	21
5.2 Fonction des boutons.....	21
5.3 Mode "TEMP MODE".....	21
5.4 Mode "TIME MODE".....	22
5.5 Mesure de la température.....	23
5.6 Modification de l'unité de mesure de la température.....	23
5.7 Démagnétisation.....	23
5.8 Sélection du niveau de puissance.....	23
<b>6. Dispositifs de sécurité .....</b>	<b>23</b>
<b>7. Dépannage.....</b>	<b>24</b>
<b>8. Spare parts .....</b>	<b>24</b>
<b>9. Maintenance.....</b>	<b>25</b>

Traduction extraite du mode d'emploi d'origine



## Déclaration de conformité UE

### TIH 030m

Nous, SKF MPT, Meidoornkade 14, 3992 AE Houten, Pays-Bas déclarons sous notre responsabilité que les produits décrits dans ces instructions d'utilisation sont conformes aux conditions de la ou des directive(s) :

DIRECTIVE EUROPEENNE SUR LES APPAREILS BASSE TENSION 2014/35/UE

DIRECTIVE CEM 2014/30/UE

DIRECTIVE RoHS (EU) 2015/863 and the harmonized standard:

EN IEC 63000:2018: Technical documentation for the assessment of electrical and electronic products with respect to the restriction of hazardous substances.

et sont en conformité avec les normes suivantes :

EN61000-6-3:2007 /A1:2011

EN61000-6-2:2005

EN61000-4-2

EN61000-4-3

EN61000-4-4

EN61000-4-5

EN61000-4-6

EN61000-4-8

EN61000-4-11

Houten, Pays-Bas, Janvier 2022



Mme Andrea Gondová

Responsable Qualité et Conformité





### Recommandations de sécurité

- Comme l'appareil TIH 030m produit un champ magnétique, il est vivement recommandé aux porteurs de stimulateur cardiaque de se tenir à une distance minimale de 5 mètres du TIH 030 m pendant le fonctionnement de l'appareil. Tous les appareils électroniques tels que les montres-bracelets peuvent aussi être "dérégées" par ce champ magnétique.
- Lors du processus de chauffage, restez à une distance de sécurité de 50 cm de la pièce à chauffer, de la bobine de chauffage et du noyau.
- Observez bien attentivement et à tout moment toutes les instructions d'utilisation.
- Assurez-vous que la tension d'alimentation de l'appareil est correcte.
- Un arc électrique peut se produire lorsqu'il existe une différence de potentiel entre le TIH 030m et la pièce à chauffer. Cet arc électrique est inoffensif pour les êtres humains et n'endommage ni le TIH 030m ni la pièce à chauffer. Ne jamais utiliser le TIH 030m dans des zones comportant un risque d'explosion.
- L'appareil TIH 030m ne doit pas être exposé à une forte humidité.
- Ne jamais utiliser le TIH 030m sans barreau.
- Ne jamais utiliser le TIH 030m avec le câble de la télécommande entre les supports verticaux du barreau.
- Ne jamais modifier le TIH 030m.
- Des outils de manutention adaptés doivent être utilisés pour soulever des pièces lourdes.
- Il faut éviter tout contact avec les pièces chauffées.  
Pour leur manipulation, équipez-vous de gants résistants à la chaleur.

# 1. Introduction

Le SKF TIH 030m est un appareil de chauffage par induction, conçu pour chauffer des roulements montés avec un ajustement serré sur un arbre. La chaleur produite dilate le roulement, et permet ainsi d'effectuer un montage sans endommager le roulement et sans efforts. Un écart de température de 90 °C entre le roulement et l'arbre est en général suffisant pour le montage. À une température ambiante de 20 °C, le roulement doit donc être chauffé à 110 °C.

## 1.1 Utilisation prévue

Le TIH 030m a été conçu pour chauffer les roulements. Mais toute autre pièce métallique qui forme un circuit fermé peut également être chauffée. C'est le cas, par exemple, des bagues de serrage, des poulies et des pignons et engrenages.

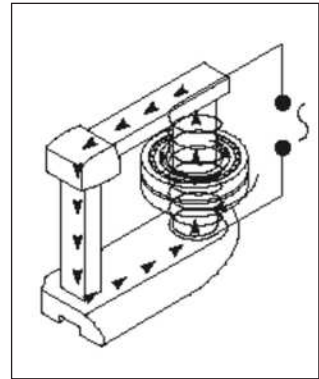
Tous les roulements montés sur la bobine à induction verticale et entre les supports verticaux avec l'un des barreaux supérieur mis en place peuvent être chauffés grâce au TIH 030m. De petits roulements peuvent en outre être placés sur l'un des trois barreaux standards (on utilisera alors la fonction "réglage de puissance").

Consultez les illustrations au début de ce manuel pour plus d'exemples.

## 1.2 Principe de fonctionnement

Le TIH 030m produit de la chaleur au moyen d'un grand courant électrique magnétiquement induit dans la pièce par une bobine placée à l'intérieur du chauffage.

L'électricité à haute tension et à faible intensité qui circule dans les nombreux enroulements de la bobine à induction produit une électricité à basse tension et de forte intensité dans la pièce à chauffer. La pièce à chauffer ayant les caractéristiques électriques d'une bobine avec un enroulement unique court-circuité, la haute intensité produit de la chaleur dans la pièce. La chaleur n'est donc produite qu'à l'intérieur de la pièce, toutes les pièces de l'appareil restant froides.



## 1.3 Caractéristiques distinctives

- Télécommande  
Pour faciliter davantage l'emploi et réduire le risque de contact avec le roulement chaud pendant son fonctionnement, le chauffage TIH 030m est fourni avec une télécommande que l'on peut détacher du chauffage.
- Bobine à induction  
Lors de son chauffage, la pièce (d'un diamètre intérieur supérieur à 95 mm) doit être placée sur le noyau dans la même position que la bobine à induction.  
Ce montage améliore considérablement l'efficacité de l'appareil, permet de réaliser des économies d'énergie et d'accélérer le processus de chauffage.  
Tout ceci combiné, entraîne une réduction totale du coût de chauffage importante de chaque pièce à chauffer.
- Supports de roulement pliants  
Pour soutenir un grand roulement positionné autour de la bobine à induction, le chauffage à induction TIH 030m est équipé de 2 bras supports de roulement pliants. Voir les illustrations au début de ce manuel.
- Rangement des barreaux  
Les trois barreaux (fournit en standard) doivent être rangés à l'intérieur du chauffage afin d'éviter tout endommagement.. Deux espaces de rangement des barreaux se trouvent derrière les bras supports de roulement pliants.  
L'espace de rangement des barreaux petit et moyen se trouve dans l'espace de rangement de barreaux du côté du disjoncteur de l'appareil de chauffage.  
L'espace de rangement du grand barreau se trouve du côté du câble d'alimentation secteur de l'appareil de chauffage. Voir les illustrations au début de ce manuel.

## 2. Description

Le fonctionnement du chauffage est commandé par le module de commande électronique, et ce suivant deux modes de fonctionnement : L'utilisateur peut choisir de régler soit la température du roulement souhaitée en TEMP MODE (mode température) soit de fixer la durée pendant laquelle le roulement sera chauffé en TIME MODE (mode durée). Le niveau de puissance peut être réglé à 100% ou 50 % pour le chauffage plus lent de pièces sensibles (comme par exemple les petits roulements ou ceux à jeu réduit de type C1 ou C2).

### 2.1 Composants

Le chauffage par induction TIH 030m contient un noyau en fer en U avec une bobine à induction qui entoure l'un des supports verticaux. Une télécommande amovible est incluse. L'électronique de la télécommande et l'électronique interne commandent le fonctionnement de l'appareil de chauffage. Un barreau amovible dans la partie supérieure des supports verticaux permet de venir placer la pièce sur l'appareil de chauffage. Deux barreaux plus petits sont également fournis pour installer les pièces plus petites. L'appareil est équipé d'une sonde de température. Une paire de gants résistants à la chaleur (max 150°C) est livrée avec l'équipement.

## 2.2 Caractéristiques techniques

TIH 030m	
Tension ( $\pm 10\%$ )	230 V / 50 - 60 Hz ou 110 V / 50 - 60 Hz
Protection de ligne recommandée	Fusible 10 A de classe 230 V Fusible 20 A de classe 110 V
Consommation électrique (maximum)	2.0 kVA
Contrôle de température	0 - 250 °C en paliers de 1°
Type de sonde	Thermocouple, de type K
Température maximale admissible par le capteur	250 °C
Mode Durée	0 - 60 minutes; par paliers de 0,1 minute
Gamme de puissance	100% - 50%
Démagnétisation	automatique ; magnétisme résiduel <2A/cm
Dimensions hors-tout (l x p x h)	460 x 200 x 260 mm
Espace entre supports (l x h)	100 x 135 mm
Diamètre de la bobine	95 mm Pour un alésage de roulement d'un diamètre minimum de 100 mm
Poids (barreaux inclus)	20,9 kg
Poids maximum de la pièce à chauffer	roulement : 40 kg composant massif 20 kg
Température maximale de chauffage	environ 250 °C Cela dépend du roulement ou du poids du composant. Pour des températures plus élevées, veuillez, s'il vous plaît, contacter SKF.
$m_{20}^*$	28 kg (roulement 23136)
Dimensions des barreaux standard :	Pour un alésage intérieur de roulement d'un diamètre minimum de :
45 x 45 x 215 mm	65 mm
28 x 28 x 215 mm	40 mm
14 x 14 x 215 mm	20 mm

\* $m_{20}$  représente le poids (kg) du roulement SRB 231 le plus lourd qui peut être chauffé de 20 à 110 °C en 20 minutes.

### 3. Installation de la prise secteur

Demandez à un électricien qualifié d'installer une prise électrique appropriée. La tension d'alimentation correcte est indiquée au paragraphe 2.2.

Les fils doivent être branchés comme suit :

TIH 030m/230V, TIH 030m/110V	
Couleur des fils du TIH 030m	Tension du secteur
jaune/vert	masse
bleu	neutre
marron	phase 1

Vérifiez qu'un fusible approprié est bien installé. Consultez le paragraphe 2.2 pour connaître les caractéristiques du fusible.

### 4. Préparation pour utilisation

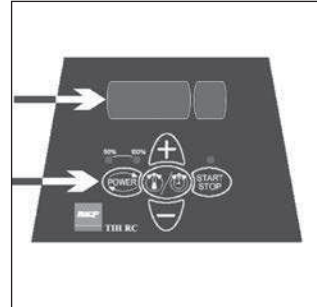
- Placez le TIH 030m à l'horizontale sur une surface stable et plane.
- Branchez la prise électrique au secteur.
- Branchez la télécommande dans le connecteur situé du côté poignée de transport de l'appareil de chauffage.
- Pour des pièces dont le diamètre intérieur est assez large pour être placé sur la bobine à induction, procédez comme suit :
  - Posez la pièce à chauffer par-dessus la bobine à induction en vous servant d'un équipement de levage approprié.
  - Pour une meilleure performance, positionnez la pièce à chauffer de telle sorte que la bobine à induction soit au centre du roulement.
  - Positionnez le barreau le plus grand pour qu'il recouvre complètement le haut des deux supports verticaux.
- Pour des pièces à chauffer qui ne peuvent être placées sur la bobine à induction, procédez comme suit :
  - Choisissez le plus grand des trois barreaux capable de passer par le diamètre interne de la pièce à chauffer.
  - Si nécessaire, retirez le barreau supérieur du TIH 030m.
  - Faites glisser la pièce dans le barreau que vous avez choisi.
  - Placez le barreau sur le TIH 030m, en faisant en sorte que la face inférieure brillante repose uniformément sur les deux supports verticaux.
- Si vous souhaitez utiliser le mode « TEMP MODE », branchez le capteur de température dans le connecteur situé du côté poignée de transport de l'appareil de chauffage. Placez l'extrémité magnétique du capteur sur la bague intérieure du roulement ou sur la surface la plus interne de la pièce à chauffer.
- Mettez l'appareil TIH 030m sous tension.
- Attendez le test automatique de l'écran et du signal de la télécommande.

## 5. Fonctionnement

### 5.1 Fonction des écrans

- L'écran de la télécommande affiche la durée ou la température de chauffage choisie.
- Les LED lumineuses de puissance indiquent la puissance choisie.

Affichage	Indication
t	durée en minutes
°C	température en degrés Celsius
°F	température en degrés Fahrenheit



### 5.2 Fonction des boutons

Bouton	Fonction
POWER	Appuyez pour régler la puissance La puissance sélectionnée est indiquée par une LED lumineuse
MODE	Appuyez sur ce bouton pour passer du mode "TIME MODE" au mode "TEMP MODE" et vice-versa
UP (+)	Appuyez sur ce bouton pour accroître la valeur affichée sur l'écran de la télécommande
DOWN (-)	Appuyez sur ce bouton pour réduire la valeur affichée sur l'écran de la télécommande
START / STOP	Appuyez sur ce bouton pour démarrer ou arrêter le chauffage La LED du bouton START / STOP est allumée lorsque le chauffage chauffe et clignote pendant la mesure de la température

### 5.3 Mode "TEMP MODE"

- Si l'écran de la télécommande affiche « t », appuyez sur MODE pour sélectionner le mode « TEMP MODE ». L'écran de la télécommande affiche °C ou °F en MODE TEMP.
- La température sélectionnée est indiquée sur l'écran de la télécommande. La température par défaut présélectionnée pour les roulements est de 110 °C. Si vous souhaitez régler sur une température différente, appuyez sur UP (pour l'augmenter) ou DOWN (pour la réduire) pour régler la température par paliers de 1°.
- Il peut être nécessaire de chauffer les roulements à des températures supérieures à 110 °C lorsque leur durée de montage s'avère importante. Consultez les spécifications de roulements de SKF pour déterminer la température maximale admissible par chaque roulement.

Assurez-vous que le roulement ne se bloque pas en raison d'une dilatation excessive de la bague intérieure par rapport à la bague extérieure. Voir paragraphe 5.8.

- Appuyez sur POWER pour sélectionner la puissance désirée. Utilisez les consignes décrites au paragraphe 5.8 pour déterminer la puissance adaptée.
- Assurez-vous que le capteur de température est monté sur la bague intérieure du roulement.
- Appuyez sur la touche START / STOP pour mettre l'appareil en marche. L'écran de la télécommande affiche la température actuelle de la pièce.
- Pendant le chauffage, on fait afficher la température sélectionnée en appuyant sur MODE pendant 1 seconde.
- Lorsque la température sélectionnée a été atteinte, l'appareil démagnétise la pièce automatiquement, s'arrête et produit un signal sonore pendant 10 secondes ou jusqu'à ce que le bouton START / STOP soit enfoncé.
- Appuyez sur la touche START / STOP pour arrêter le chauffage.
- Enlevez la pièce à l'aide d'un équipement de levage approprié et des protections à la chaleur.
- Si la pièce reste sur l'appareil de chauffage, celui-ci redémarre lorsque la température de la pièce baisse de 10 °C. Appuyez sur la touche START / STOP pour arrêter l'appareil et démagnétiser la pièce.
- Le TIH 030m est maintenant prêt à chauffer une autre pièce avec les mêmes valeurs.

#### 5.4 Mode "TIME MODE"

- Si l'écran principal affiche °C ou °F, appuyez sur MODE pour sélectionner le mode durée (« TIME MODE »). L'écran de la télécommande affiche alors « t » en mode durée (« TIME MODE »).
- Appuyez sur UP (pour augmenter) ou sur DOWN (pour baisser) pour régler la durée par paliers de 0,1 minute.
- Appuyez sur POWER pour sélectionner la puissance désirée. Utilisez les consignes décrites au paragraphe 5.8 pour déterminer la puissance adaptée.
- Appuyez sur la touche START / STOP pour mettre l'appareil en marche. L'écran de la télécommande affiche la durée de chauffage restante.
- Pendant le chauffage, on peut afficher pendant quelques secondes la température mesurée par le capteur en appuyant sur le bouton MODE.
- Lorsque la durée sélectionnée expire, l'appareil démagnétise la pièce automatiquement, se met hors tension et émet un signal sonore pendant 10 secondes.
- Appuyez sur la touche START / STOP pour arrêter le signal sonore et le chauffage.
- Enlevez la pièce à l'aide d'un équipement de levage approprié.
- Le TIH 030m est maintenant prêt à chauffer une autre pièce avec les mêmes valeurs.



## 5.5 Mesure de la température

Lorsque l'appareil n'est pas en marche la température de la pièce peut être mesurée en appuyant sur MODE et START / STOP en même temps. La LED du bouton START / STOP clignote pendant la mesure de température.

Pour annuler la mesure de température, appuyez sur la touche START / STOP.

## 5.6 Modification de l'unité de mesure de la température

Appuyer simultanément sur les boutons MODE et UP pour passer d'une unité de mesure à une autre (de °C à °F).

Le paramètre « unité de température » est conservé même après mise hors tension de l'appareil.

## 5.7 Démagnétisation

La pièce est automatiquement démagnétisée lorsque le chauffage est terminé.

La démagnétisation ne se produira pas en cas de coupure d'électricité ou si l'interrupteur principal est éteint. Pour utiliser le TIH 030m uniquement pour la démagnétisation, sélectionnez le mode « TIME MODE » et consignez la durée à 0,1 minute (6 secondes).

## 5.8 Sélection du niveau de puissance

Lors du chauffage de roulements avec un appareil de chauffage par induction, la plus grande partie de la chaleur sera produite au niveau de la bague intérieure du roulement. La chaleur se transfère ensuite progressivement au roulement. Il est donc important de chauffer lentement les roulements qui présentent un jeu interne faible ou qui sont sous légère précharge. Le chauffage lent permet au roulement de se dilater uniformément, et on évite ainsi de l'endommager.

La forme, le poids, la taille et les jeux internes sont des caractéristiques importantes quand on parle de la durée nécessaire pour chauffer un roulement.

Compte tenu de la grande variété de types de roulements existants, il est difficile de fournir un niveau de puissance spécifique pour chaque type. Nous pouvons néanmoins vous donner les recommandations suivantes :

- Pour les roulements sensibles (y compris les roulements à jeu interne C1 ou C2) ou les roulements à cage en laiton, ne pas dépasser 50% de puissance.
- Si vous utilisez le petit barreau, ne dépassez jamais 50% de puissance.

## 6. Dispositifs de sécurité

Le TIH 030m est équipé des dispositifs de sécurité suivants :

- Protection automatique contre la surchauffe.
- Contrôle automatique de courant.
- Disjoncteur de surintensité.
- En mode « TEMP MODE », l'appareil s'éteint automatiquement si le capteur de température n'enregistre pas une augmentation de température de 1 °C toutes les 15 secondes. Par exemple lorsqu'il n'est pas mis en place.. Pour faire passer cet intervalle à 30 secondes, appuyez simultanément sur les boutons MODE et DOWN.

## 7. Dépannage

Une erreur de système sera indiquée par un signal sonore et l'un des codes d'erreur suivants s'affichera automatiquement sur l'écran de la télécommande :

Affichage	Erreur	Action
E03 E	Surchauffe de la bobine	Attendre que la bobine à induction refroidisse Eteindre puis rallumer l'appareil de chauffage
E05 E	Augmentation de température de moins de 1 °C toutes les 15 secondes (ou 1° C toutes les 30 secondes)	Vérifier le branchement du capteur de température sur la pièce Si le branchement est correct, sélectionnez l'intervalle de 30 secondes comme indiqué au paragraphe 6 ou faites fonctionner l'appareil de chauffage en « TIME MODE »
E06 E	Le capteur de température est débranché (ou défectueux) ou la baisse de température est excessive	Vérifier le capteur de température
E10E	Problème de communication électronique	Eteindre puis rallumer l'appareil de chauffage Si le problème persiste, contactez votre interlocuteur SKF qui vous indiquera les actions à suivre aux fins de réparation
E11E	Problème de communication électronique	Eteindre puis rallumer l'appareil de chauffage Si le problème persiste, contactez votre interlocuteur SKF qui vous indiquera les actions à suivre aux fins de réparation
E12E	Problème de communication électronique	Eteindre puis rallumer l'appareil de chauffage Si le problème persiste, contactez votre interlocuteur SKF qui vous indiquera les actions à suivre aux fins de réparation

## 8. Spare parts

Designation	Description
TIH 030-P230V	Carte de puissance 230 V – 200 - 240 V, 50 - 60 Hz
TIH 030-P110V	Carte de puissance 110 V - 100 - 120 V, 50 - 60 Hz
TIH 030-Y7	Barreau 45 x 45 x 215 mm
TIH 030-Y6	Barreau 40 x 40 x 215 mm
TIH 030-Y4	Barreau 28 x 28 x 215 mm
TIH 030-Y3	Barreau 20 x 20 x 215 mm
TIH 030-Y2	Barreau 14 x 14 x 215 mm

TIH 030-YS	Jeu de supports de barreaux – 45 x 45 x 100 mm (2x)
TIH CP	Carte de contrôle
TIH RC	Télécommande
TIH CB10A	Disjoncteur 10 A pour TIH 030M/230V
TIH CB20A	Disjoncteur 20 A pour TIH 030M/110V
TIH P20	Capteur de température, type K, câble et fiche inclus
LGAF 3E/ 0.035	Une pâte anti-fretting en tube pour la maintenance des appareils de chauffage par induction

## 9. Maintenance

Il est important d'entretenir correctement l'appareil de chauffage par induction afin d'optimiser sa durée de service et garantir des performances optimales.

Prenez en compte les conseils suivants avant d'utiliser le produit :

- Vérifiez que le logement ne présente aucun dommage.
- Vérifiez que l'isolation du câble et la fiche ne présentent aucun dommage. Dans le cas contraire, remplacez-les.
- Vérifiez que le laminage du barreau est intact. En cas de délaminage excessif, remplacez le barreau par un neuf afin d'éviter des niveaux sonores extrêmes et une efficacité moindre.
- Vérifiez que le barreau est correctement en contact avec le noyau en forme U. La zone de contact doit être propre et sans rouille. Il ne doit pas y avoir de couches d'air entre les surfaces. Les surfaces non parallèles risquent de générer des vibrations et des niveaux sonores élevés et d'entraîner des pertes d'efficacité.
- Vérifiez que le système de fermeture (le cas échéant, rails coulissants ou charnière pivotante) n'est pas endommagé.
- Vérifiez que la sonde de température, le câble et la fiche sont propres et intacts. Sinon, l'indication de température et la commande risquent de ne pas fonctionner correctement.

Au besoin et à intervalles réguliers :

- Nettoyez l'appareil de chauffage avec un chiffon propre et sec uniquement.
- Nettoyez les surfaces de contact entre le barreau et le noyau en forme U. Appliquez une couche de pâte anticorrosion LGAF 3E pour protéger la surface. Ceci contribue à prévenir la corrosion des surfaces, à réduire le bruit émis par l'appareil de chauffage et à maintenir un fonctionnement efficace.
- Au besoin, réglez le système de fermeture pivotant à l'aide des vis de la charnière.

## Inhalt

<b>CE Konformitätserklärung .....</b>	<b>27</b>
<b>Safety recommendations .....</b>	<b>28</b>
<b>1. Einführung .....</b>	<b>29</b>
1.1. Zweckbestimmung .....	29
1.2. Arbeitsweise .....	29
1.3. Herausragende Merkmale.....	30
<b>2. Beschreibung .....</b>	<b>30</b>
2.1. Bestandteile.....	30
2.2. Technische Daten.....	31
<b>3. Netzanschluss .....</b>	<b>32</b>
<b>4. Aufstellung und inbetriebnahme .....</b>	<b>32</b>
<b>5. Bedienung.....</b>	<b>33</b>
5.1. Bedienfeld, Anzeigefunktionen.....	33
5.2. Bedienfeld, Tastenfunktionen.....	33
5.3. Temperatur-automatik .....	33
5.4. Zeit-automatik .....	34
5.5. Thermometermodus.....	35
5.6. Ändern der Temperatureinheit.....	35
5.7. Entmagnetisierung.....	35
5.8. Leistungsdrosselung.....	35
<b>6. Sicherheitseinrichtungen .....</b>	<b>36</b>
<b>7. Fehlersuche.....</b>	<b>36</b>
<b>8. Ersatzteil-liste.....</b>	<b>36</b>
<b>9. Instandhaltung .....</b>	<b>37</b>

Übersetzung der Original-Bedienungsanleitungen

## CE Konformitätserklärung

### TIH 030m

Die SKF MPT, Meidoornkade 14, 3992 AE Houten, Niederlande erklärt hiermit unter unserer alleinigen Verantwortung, dass die in dieser Gebrauchsanweisung beschriebenen Produkte den folgenden Richtlinien und Normen entsprechen:  
EUROPÄISCHEN NIEDERSpannungsRICHTLINIE 2014/35/EU  
EMV-RICHTLINIE 2014/30/EU

RoHS-RICHTLINIE (EU) 2015/863 and the harmonized standard:

EN IEC 63000:2018: Technical documentation for the assessment of electrical and electronic products with respect to the restriction of hazardous substances.

außerdem stimmen sie mit den folgenden Normen überein:

EN61000-6-3:2007 /A1:2011

EN61000-6-2:2005

EN61000-4-2

EN61000-4-3

EN61000-4-4

EN61000-4-5

EN61000-4-6

EN61000-4-8

EN61000-4-11

Houten, in den Niederlanden, Januar 2022



Mrs. Andrea Gondová  
Manager Quality and Compliance





### Safety recommendations

- Da das Induktionsheizgerät TIH 030m ein Magnetfeld erzeugt, sollten Personen mit einem Herzschrittmacher einen Mindestabstand von 5 m zum TIH 030m einhalten, wenn dieses in Betrieb ist. Auch andere empfindliche elektronische Geräte, z. B. Armbanduhren können durch dieses Magnetfeld beeinflusst werden.
- Während des Anwärmvorgangs muss ein Sicherheitsabstand von 50 cm zum Werkstück, der Heizungsspule und dem Kern eingehalten werden.
- Immer die Bedienungsanleitung beachten.
- Sicherstellen, dass Geräte- und Netzspannung übereinstimmen.
- Bei größeren Werkstücken kann es vorkommen, dass sich ein Potentialunterschied zwischen Werkstück und Joch einstellt, der zu Spannungsüberschlägen mit Lichtbogenbildung führen kann. Dies stellt aber keine Gefahr für Personen oder das Werkstück dar. Das Anwärmgerät darf daher niemals in Bereichen betrieben werden, in denen Explosionsgefahr besteht.
- Anwärmgerät nicht hoher Luftfeuchtigkeit aussetzen.
- Anwärmgerät nie einschalten oder betreiben, ohne dass ein Joch aufliegt.
- Kabel und Bedienteil niemals in das Magnetfeld unter dem Joch bringen.
- Anwärmgerät niemals verändern.
- Beim Heben schwerer Werkstücke geeignetes Handhabungsgerät verwenden.
- Werkstücke nur mit geeigneter Schutzausrüstung handhaben. Angewärmte Werkstücke mit den mitgelieferten Wärmeschutzhandschuhen handhaben.

# 1. Einführung

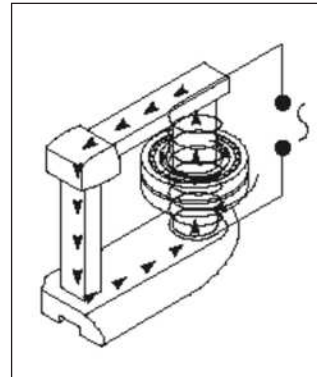
Das SKF TIH 030m Induktions-Anwärmgerät wird zum Erwärmen von Wälzlagern eingesetzt die mit festem Sitz auf der Welle montiert werden müssen. Der im Lager induzierte Strom führt zur Erwärmung und Aufweitung der Lagerbohrung und ermöglicht somit ein einfaches Aufschieben auf die Welle. Ein Temperaturunterschied zwischen Lager und Welle von ca. 90 °C ist dafür ausreichend. Bei einer Umgebungstemperatur von 20 °C muss das Lager somit auf eine Temperatur von 110 °C erwärmt werden.

## 1.1. Zweckbestimmung

Das Induktions-Anwärmgerät TIH 030m ist zum Anwärmen von Wälzlagern ausgelegt. Es können jedoch auch andere ringförmige Bauteile wie, Buchsen, Schrumpfringe, Riemenscheiben und Zahnräder erwärmt werden, sofern sie aus Metall sind und einen geschlossenen Stromkreis bilden. Mit dem TIH 030m können alle Lager angewärmt werden, die bei aufgelegtem Joch über die Induktionsspule und zwischen die vertikalen Halterungen passen. Kleinere Lager, die nicht über die Induktionsspule passen, können zum Anwärmen auf eines der drei mitgelieferten Standardjochs gesetzt werden. Siehe auch Abbildungen am Anfang dieser Bedienungsanleitung.

## 1.2. Arbeitsweise

Ein Induktions-Anwärmgerät kann mit einem Transformator verglichen werden. Das zu erwärmende Wälzlager bildet dabei die Sekundärspule mit einer kurzgeschlossenen Windung, durch die bei niedriger Spannung ein Wechselstrom hoher Stromstärke fließt. Dadurch erwärmt sich das Lager, Anwärmgerät und Joch bleiben nahezu auf Umgebungstemperatur.



## 1.3 Herausragende Merkmale

- Abnehmbares Bedienteil  
Das Bedienfeld des TIH 030m ist als Fernbedienung ausgeführt und vom Gerät abnehmbar. Das vereinfacht die Bedienung und ermöglicht das Arbeiten mit Abstand zum Werkstück während des Anwärmens .
- Induktionsspule  
Die Induktionsspule befindet sich außerhalb des Gehäuses, direkt im Zentrum des anzuwärmenden Werkstücks. Diese Anordnung führt zu höherer Effizienz bei geringerem Stromverbrauch und schnellerem Erwärmen, wodurch die Kosten für das Erwärmen der Lager reduziert werden.
- Ausschwenkbare Auflageschenkel  
Um das Anwärmen von Werkstücken mit größerem Durchmesser zu ermöglichen, ist das TIH 030m mit ausschwenkbaren Auflageschenkeln ausgestattet. Siehe auch Abbildungen zu Beginn dieser Bedienungsanleitung.
- Jochaufbewahrung  
Die mitgelieferten Joche werden in den integrierten Jochbehältern aufbewahrt, die sich hinter den ausschwenkbaren Auflageschenkeln befinden. Die beiden kleineren Joche werden im Behälter auf der Seite des Netzschalters aufbewahrt, das große Joch findet im Behälter auf der Seite der Netzleitung seinen Platz. Siehe auch Abbildungen zu Beginn dieser Bedienungsanleitung.

## 2. Beschreibung

Die Anwärmphase wird elektronisch geregelt, und zwar mit ZEITAUTOMATIK, mit der man die Anwärmzeit vorwählt, oder mit TEMPERATURAUTOMATIK, mit der die gewünschte Temperatur vorgegeben wird. Das Anwärmgerät kann auch auf 50% Leistung gedrosselt werden. Diese Umschaltmöglichkeit wird dann genutzt, wenn kleine Joche verwendet werden oder die Gefahr besteht, dass empfindliche Werkstücke zu schnell erwärmt werden, z. B. Lager mit C1- oder C2-Luft.

### 2.1 Bestandteile

Das Induktions-Anwärmgerät besteht im wesentlichen aus einem U-förmigen Eisenkern mit einer großen Induktionsspule auf dem einen Schenkel. Das Bedienfeld ist als Fernbedienung ausgeführt und vom Gerät abnehmbar. Die Regelung des Induktions-Anwärmgerät TIH 030m erfolgt vollelektronisch. Das Joch ist abnehm- und austauschbar, serienmäßig gehören drei Joche mit unterschiedlichem Querschnitt zum Lieferumfang. Werkstücke mit großem Innendurchmesser werden auf das Gerät über die Induktionsspule gelegt, Werkstücke mit kleinerem Durchmesser können auch auf dem Joch angewärmt werden. Die Werkstücktemperatur wird mit einem magnetischen Temperaturfühler überwacht. Wärmeschutzhandschuhe zur Handhabung angewärmter Werkstücke gehören zum Lieferumfang.



## 2.2 Technische Daten

TIH 030m	
Netzspannung ( $\pm 10\%$ )	230 V / 50 - 60 Hz oder 110 V / 50 - 60 Hz
Empfohlene Vorsicherung	10 A Sicherung bei 230 V 20 A Sicherung bei 110 V
Maximale Leistungsaufnahme	2.0 kVA
Temperaturotomatik	0 - 250 °C in Schritten von 1°
Magnetischer Sensor	Thermoelement, Typ K
Maximaltemperatur (Sensor)	250 °C
Zeitautomati	0 - 60 Minuten in 0,1-Minuten-Schritten
Leistungsrosselung	Zweistufig, 50 oder 100%
Entmagnetisierung	automatisch; Restmagnetismus <2A/cm
Abmessungen (B x T x H)	460 x 200 x 260 mm
Bereich zwischen Halterungen (B x H)	100 x 135 mm
Spulendurchmesser	95 mm Min. Bohrungsdurchmesser des Werkstücks 100 mm
Gesamtgewicht einschließlich Joche	20,9 kg
Maximales Gewicht	Wälzlager: 40 kg Massiv-Werkstücke: 20 kg
Maximaltemperatur	ca. 250 °C Abhängig vom Lager oder dem Gewicht des Werkstücks. Für höhere Temperaturen wenden Sie sich bitte direkt an SKF.
$m_{20}^*$	28 kg (Pendelrollenlager 23136)
Standardjoch:	Für Lager mit einem Bohrungsdurchmesser ab:
45 x 45 x 215 mm	65 mm
28 x 28 x 215 mm	40 mm
14 x 14 x 215 mm	20 mm

\* $m_{20}$  bezeichnet die Masse eines Pendelrollenlagers der Reihe 231, das mit dem Anwärmgerät in 20 Minuten von 20 auf 110 °C erwärmt werden kann.

### 3. Netzanschluss

Der Anschluss an das Stromnetz hat durch eine qualifizierte Elektrofachkraft zu erfolgen. Angaben über die entsprechende Versorgungsspannung können dem Typenschild am Anwärmgerät entnommen werden.

Die einzelnen Leiter der Anschlussleitung sind wie folgt anzuschließen:

TIH 030m/230V, TIH 030m/110V	
Leiterfarbe am TIH 030m	Anschließen an
grün/gelb	Schutzleiter
blau	Neutralleiter
braun	Außenleiter (Phase)

Sicherstellen, dass die Zuleitung entsprechend abgesichert ist. Angaben zur Sicherungsstärke, siehe Abschnitt 2.2.

### 4. Aufstellung und Inbetriebnahme

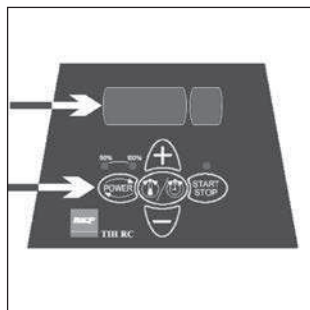
- Das Gerät auf eine waagerechte und stabile Unterlage stellen.
- Den Netzstecker an eine geeignete Stromquelle anschließen.
- Den Bedienteil an das Gerät anschließen (Buchse auf der Rückseite, links über Tragegriff).
- Bei Werkstücken die auf die Induktionsspule gesetzt werden können, wie folgt vorgehen:
  - Das Werkstück mit den entsprechenden Handhabungswerkzeugen so auf das Gerät auflegen, dass sich die Induktionsspule innerhalb der Werkstückbohrung befindet.
  - Für optimale Leistung das Werkstück zentrieren, so dass sich die Induktionsspule genau im Zentrum der Bohrung befindet.
  - Das Joch mit dem großen Querschnitt auflegen (45 x 45 x 215).
- Bei Werkstücken, die nicht über die Induktionsspule passen, wie folgt vorgehen:
  - Das Joch mit dem größten Querschnitt wählen, das noch durch die Bohrung des Werkstückes passt.
  - Falls erforderlich, das Joch ganz vom Gerät nehmen.
  - Das Joch in die Bohrung des Werkstück einführen.
  - Das Joch mit dem Werkstück so auf dem TIH 030m platzieren, dass es mit der hellen Unterseite gleichmäßig auf beiden vertikalen Schenkeln aufliegt.
- Bei Verwendung der TEMPERATUR-AUTOMATIK, den Temperaturfühler an das Gerät anschließen (Buchse auf der Rückseite, rechts über Tragegriff)  
Den magnetischen Temperaturfühler auf Innenring des Lagers oder nahe der Bohrung des Werkstücks ansetzen.
- Das Gerät einschalten.
- Den Selbsttest auf der Anzeige des Bedienfelds bis zum Signalton beobachten.

## 5. Bedienung

### 5.1 Bedienfeld, Anzeigefunktionen

- Das Fernbedienungsdisplay zeigt außerhalb des Anwärmbetriebs, die eingestellte Anwärmzeit oder Anwärmtemperatur an.
- Die LED's oberhalb der POWER-TASTE zeigen die gewählte Leistungseinstellung an.

Anzeige	Bedeutung
t	Zeit in Minuten
°C	Temperatur in °C
°F	Temperatur in °F



### 5.2 Bedienfeld, Tastenfunktionen

Taste	Funktion
POWER	Leistungsdrosselung, Taste zur Einstellung der Leistung Die gewählte Leistung wird durch LED's oberhalb der Taste angezeigt
MODE (mittlere Taste)	Wechsel zwischen der Zeit-Automatik (TIME MODE) und der Temperatur-Automatik (TEMP MODE)
UP (+)	Wert erhöhen
DOWN (-)	Wert verringern
START / STOP	Ein- und Ausschalten des Geräts. Die LED oberhalb der START/ STOP-Taste leuchtet während des Anwärmvorgangs und blinkt während der Temperaturmessung

### 5.3 Temperatur-automatik

- Zeigt die Anzeige des Bedienfelds "t" an, auf MODE drücken, um die TEMPERATUR-AUTOMATIK zu wählen. Die Anzeige zeigt °C oder °F bei gewählter Temperatur-Automatik.
- Die Soll-Temperatur wird angezeigt. Die Soll-Temperatur zum Anwärmen von Wälzlagern beträgt 110 °C. Wird eine andere Soll-Temperatur benötigt, kann die gewünschte Temperatur mit den Tasten UP und DOWN in 1 °C Schritten eingestellt werden.
- Bei länger andauernden Montagevorgängen können eventuell Temperaturen von über 110 °C erforderlich werden. Bei Wälzlagern dürfen dabei keinesfalls die höchstzulässigen Temperaturen überschritten werden, die von den Lagerringen, von den Dichtungen, vom Käfig und/oder vom Schmierstoff abhängen können. Die höchstzulässigen Temperaturen für SKF Wälzlager können u. a. dem SKF

Hauptkatalog entnommen werden. In jedem Fall ist jedoch darauf zu achten, dass sich infolge ungleicher Ausdehnung von Innenring und Außenring die Wälzkörper nicht zwischen den Ringen verspannt werden. Siehe auch Abschnitt 5.8.

- Zur Wahl der Leistungsstufe ggf. die Taste POWER drücken. Für die Bestimmung der korrekten Einstellung auch die Richtlinien in Abschnitt 5.8. beachten.
- Der magnetische Temperaturfühler muss bei Wälzlagern am Innenring, bei anderen Werkstücken nahe an der Bohrung angebracht werden.
- Um den Anwärmvorgang zu starten, die Taste START / STOP drücken.
- Auf der Anzeige des Bedienfelds wird die Ist-Temperatur des Werkstückes angezeigt.
- Während des Anwärmvorgangs kann die Soll-Temperatur für 1 Sekunde durch Drücken der Taste MODE angezeigt werden.
- Sobald die Soll-Temperatur erreicht wird, entmagnetisiert das Anwärmgerät das Werkstück und erzeugt für 10 Sekunden, oder bis zur Betätigung der Taste START / STOP, ein akustisches Signal.
- Der Anwärmvorgang kann jederzeit mit der Taste START / STOP abgebrochen werden.
- Das Werkstück mit geeignetem Handhabungsgerät vom Anwärmgerät abnehmen.
- Verbleibt das Werkstück auf dem Gerät, wird es, sobald die Temperatur des Werkstücks um 10 °C fällt, erneut angewärmt. Um den Anwärmvorgang abzubrechen, die Taste START / STOP drücken.
- Das TIH 030m ist nun zum Anwärmen weiterer Werkstücke mit den gleichen Einstellungen bereit.

#### 5.4 Zeit-automatik

- Zeigt die Anzeige des Bedienfelds °C oder °F an, auf MODE drücken, um die ZEIT-AUTOMATIK zu wählen. Die Anzeige zeigt "t" bei gewählter Zeit-Automatik
- Die gewünschte Anwärmzeit kann mit den Tasten UP und DOWN in Schritten von 0,1 Minuten eingestellt werden.
- Zur Wahl der Leistungsstufe ggf. die Taste POWER drücken. Für die Bestimmung der korrekten Einstellung auch die Richtlinien in Abschnitt 5.8. beachten
- Um den Anwärmvorgang zu starten, die Taste START / STOP drücken. In der Anzeige des Bedienfelds wird die noch verbleibende Anwärmzeit angezeigt.
- Während des Anwärmvorgangs kann die gemessene Werkstück-Temperatur für 1 Sekunde durch Drücken der Taste MODE angezeigt werden.
- Nach Ablauf der Zeit, entmagnetisiert das Anwärmgerät das Werkstück und erzeugt für 10 Sekunden, oder bis zur Betätigung der Taste START / STOP, ein akustisches Signal.
- Der Anwärmvorgang kann jederzeit mit der Taste START / STOP abgebrochen werden.
- Das Werkstück mit geeignetem Handhabungsgerät vom Anwärmgerät nehmen.
- Das TIH 030m ist nun zum Anwärmen weiterer Werkstücke mit den gleichen Einstellungen bereit.

## 5.5 Thermometermodus

Der Thermometermodus kann durch gleichzeitiges drücken der Tasten MODE und START / STOP aktiviert werden, vorausgesetzt, dass Gerät ist inaktiv. Im Thermometermodus zeigt die Anzeige des Bedienfelds fortlaufend die vom Temperaturfühler gemessene Temperatur an. Dabei blinkt die LED der START / STOP-Taste. Der Thermometermodus kann jederzeit mit der Taste START / STOP abgebrochen werden.

## 5.6 Ändern der Temperatureinheit

Gleichzeitig die Tasten MODE und UP drücken, um zwischen °C und °F umzuschalten. Die eingestellte Temperatureinheit bleibt gespeichert, auch wenn das Gerät vom Netz getrennt wird.

## 5.7 Entmagnetisierung

Am Ende des Anwärmvorgangs wird das Werkstück automatisch entmagnetisiert. Eine Entmagnetisierung erfolgt jedoch nicht, wenn die Stromzufuhr unterbrochen oder der Hauptschalter ausgeschaltet wird. Um das TIH 030m nur zur Entmagnetisierung zu verwenden, die ZEIT-AUTOMATIK wählen und die Zeit auf 0,1 Minuten (6 Sekunden) einstellen.

## 5.8 Leistungsdrosselung

Beim Anwärmen von Wälzlagern mit einem Induktions-Anwärmgerät erwärmt sich primär der Innenring. Die Wärme breitet sich dann über die Wälzkörper in den Außenring aus. Daher ist es notwendig, Lager mit kleiner Lagerluft langsam, mit gedrosselter Leistung anzuwärmen. Dadurch wird sichergestellt, dass sich die Teile des Lagers gleichmäßig ausdehnen und Schäden am Lager vermieden werden. Die erforderliche Leistung zum Anwärmen eines Wälzlagers hängt von Faktoren wie Bauart, Größe, Gewicht und Lagerluft ab. Auf Grund der Vielzahl an unterschiedlichen Lagerbauarten, Reihen und Größen, können keine Angaben zu einzelnen Lagern gemacht werden. Stattdessen werden folgende Empfehlungen zur Einstellung der Leistung gegeben:

- Lager mit kleiner Lagerluft (C1,C2) oder Lager mit Messingkäfigen, sollten mit auf 50% gedrosselter Leistung angewärmt werden.
- Beim Anwärmen von Werkstücken mit einem Joch mit geringem Querschnitt, nie eine Leistung von 50% überschreiten.

## 6. Sicherheitseinrichtungen

Das TIH 030m ist mit folgenden Schutzeinrichtungen ausgerüstet:

- Übertemperatur-Schutzeinrichtung
- Automatische Stromregelung
- Überstromschutzschalter
- Beim Betrieb mit TEMPERATUR-AUTOMATIK wird der Anwärmvorgang abgebrochen, wenn nicht innerhalb 15 Sekunden ein Temperaturanstieg von 1 °C registriert wird. Um dieses Intervall auf 30 Sekunden zu erhöhen, gleichzeitig die Tasten MODE und DOWN drücken.

## 7. Fehlersuche

Ein Systemfehler wird durch ein akustisches Signal und einen der folgenden Fehlercodes auf der Anzeige des Bedienteils angezeigt:

Fehler-Code	Fehler	Maßnahme
E03 E	Induktionsspule überhitzt	Warten, bis die Induktionsspule abkühlt Das Gerät aus und wieder einschalten
E05 E	Temperaturanstieg von weniger als 1 °C nach 15 Sekunden (oder 30 Sekunden)	Den Anschluss des Temperaturfühlers überprüfen. Ist der Temperaturfühler richtig angeschlossen und funktionsbereit, das 30-Sekunden-Intervall wählen wie in Abschnitt 6 beschrieben, oder Gerät mit ZEITAUTOMATIK betreiben
E06 E	Der Temperaturfühler ist nicht angeschlossen (oder defekt) oder übermäßiger Temperaturabfall	Den Temperaturfühler überprüfen
E10E	Kommunikationsproblem in der Elektronik	Das Gerät aus und wieder einschalten Bleibt das Problem bestehen, muss das Gerät von SKF überprüft werden
E11E	Kommunikationsproblem in der Elektronik	Das Gerät aus und wieder einschalten Bleibt das Problem bestehen, muss das Gerät von SKF überprüft werden
E12E	Kommunikationsproblem in der Elektronik	Das Gerät aus und wieder einschalten Bleibt das Problem bestehen, muss das Gerät von SKF überprüft werden

## 8. Ersatzteil-liste

Bezeichnung	Beschreibung
TIH 030-P230V	Leistungsplatine 230 V bzw. 200 - 240V, 50 - 60 Hz
TIH 030-P110V	Leistungsplatine 110 V bzw. 100 - 120V, 50 - 60 Hz
TIH 030-Y7	Joch 45 x 45 x 215 mm

TIH 030-Y6	Joch 40 x 40 x 215 mm
TIH 030-Y4	Joch 28 x 28 x 215 mm
TIH 030-Y3	Joch 20 x 20 x 215 mm
TIH 030-Y2	Joch 14 x 14 x 215 mm
TIH 030-YS	Jochhalterungssatz - 45 x 45 x 100 mm (2x)
TIH CP	Steuerplatine
TIH RC	Bedienteil
TIH CB10A	Hauptschalter 10A für TIH 030m/230 V
TIH CB20A	Hauptschalter 20A für TIH 030M/110 V
TIH P20	Temperaturfühler, Typ K, einschließlich Kabel und Stecker
LGAF 3E/0.035	Tube mit Montagepaste für die Wartung von Induktions-Anwärmgeräten

## 9. Instandhaltung

Zur Gewährleistung der vollen Produktlebensdauer und optimalen Leistung sowie zur Vermeidung von Gefahren ist es wichtig, das Anwärmgerät korrekt instandzuhalten.

Folgende Ratschläge sind vor Gebrauch des Produkts zu beachten:

- Sicherstellen, dass das Gehäuse unbeschädigt ist.
- Sicherstellen, dass Kabelisolierung und Stecker unbeschädigt sind. Ggf. beschädigte Teile gegen neue auswechseln.
- Sicherstellen, dass die Beschichtung des Jochs unbeschädigt ist. Bei zu starker Ablösung der Beschichtung das Joch auswechseln, um extreme Geräuscentwicklung und Wirkungsverluste zu vermeiden.
- Guten Kontakt zwischen Joch und U-förmigem Kern sicherstellen. Die Kontaktfläche muss sauber und frei von Rost sein. Zwischen den Oberflächen darf kein Luftspalt vorhanden sein. Nicht zueinander parallele Flächen können zur Erzeugung von Vibrationen oder übermäßigen Geräuschen beitragen sowie zu Wirkungsverlusten führen.
- Sicherstellen, dass das Verschlussystem (falls vorhanden – Gleitschienen oder Schwenkgelenk) unbeschädigt ist.
- Sicherstellen, dass Temperaturfühler, Kabel und Stecker sauber und unbeschädigt sind. Ansonsten ist eventuell ein ordnungsgemäßes Ablesen und Regeln der Temperatur nicht möglich.

Bei Bedarf sowie in regelmäßigen Abständen:

- Das Anwärmgerät mit einem trockenen, sauberen Tuch reinigen.
- Die Kontaktflächen zwischen Joch und U-förmigem Kern reinigen. Die Oberfläche mit einer Schicht Montagepaste LGAF 3E schützen. Hierdurch werden die Oberflächen frei von Rost gehalten, eine Geräuscentwicklung des Anwärmgeräts verhindert und der Wirkungsgrad des Geräts sichergestellt.
- Das Scharnier-Verschlussystem ggf. über die Schrauben justieren.

## Índice

<b>Declaración de conformidad CE .....</b>	<b>39</b>
<b>Recomendaciones de seguridad.....</b>	<b>40</b>
<b>1. Introducción.....</b>	<b>41</b>
1.1 Uso previsto.....	41
1.2 Principio de funcionamiento.....	41
1.3 Características distintivas .....	42
<b>2. Descripción .....</b>	<b>42</b>
2.1 Componentes .....	42
2.2 Datos técnicos.....	43
<b>3. Instalación del enchufe de red .....</b>	<b>44</b>
<b>4. Preparación para su uso.....</b>	<b>44</b>
<b>5. Funcionamiento.....</b>	<b>45</b>
5.1 Función de las pantallas .....	45
5.2 Función de los botones .....	45
5.3 Temp mode (modo de temperatura).....	45
5.4 Time mode (modo de tiempo) .....	46
5.5 Medición de la temperatura .....	46
5.6 Cambio de unidad de temperatura .....	46
5.7 Desmagnetización .....	47
5.8 Selección del nivel de potencia .....	47
<b>6. Características de seguridad.....</b>	<b>47</b>
<b>7. Resolución de problemas.....</b>	<b>48</b>
<b>8. Piezas de repuesto .....</b>	<b>48</b>
<b>9. Mantenimiento .....</b>	<b>49</b>



## Declaración de conformidad CE

### TIH 030m

SKF MPT, Meidoornkade 14, 3992 AE Houten, Países Bajos, declara bajo su exclusiva responsabilidad que los productos descritos en estas instrucciones de uso observan lo dispuesto en las condiciones establecidas en la(s) siguiente(s) Directiva(s):

DIRECTIVA EUROPEA 2014/35/UE SOBRE BAJO VOLTAJE

DIRECTIVA de compatibilidad electromagnética (CEM) 2014/30/UE

DIRECTIVA EUROPEA RoHS (sobre restricciones en la utilización de determinadas sustancias peligrosas) (UE) 2015/863 and the harmonized standard:

EN IEC 63000:2018: Technical documentation for the assessment of electrical and electronic products with respect to the restriction of hazardous substances.

y cumplen con las siguientes normas:

EN61000-6-3:2007 /A1:2011

EN61000-6-2:2005

EN61000-4-2

EN61000-4-3

EN61000-4-4

EN61000-4-5

EN61000-4-6

EN61000-4-8

EN61000-4-11

Houten, Países Bajos, enero de 2022



Sra. Andrea Gondová

Jefa de calidad y cumplimiento





### Recomendaciones de seguridad

- Dado que el TIH 030m genera un campo magnético, las personas que lleven marcapasos no deben acercarse a menos de 5 m del TIH 030m durante su utilización. Los equipos electrónicos, como los relojes de pulsera, también pueden resultar afectados.
- Durante el proceso de calentamiento manténgase a una distancia de seguridad de 50 cm de la pieza de trabajo, la bobina del calentador o el núcleo.
- Siga en todo momento las instrucciones de uso.
- Asegúrese de que la tensión suministrada sea la correcta.
- Pueden producirse arcos eléctricos cuando exista una diferencia de potencial entre el TIH 030m y la pieza de trabajo. Esto no es peligroso para los seres humanos y no provocará daños en el TIH 030m ni en la pieza de trabajo. No obstante, el TIH 030m no debe utilizarse nunca en lugares donde exista riesgo de explosión.
- No exponga el TIH 030m a una humedad excesiva.
- No utilice nunca el TIH 030m sin estar el yugo en su posición.
- No utilice nunca el TIH 030m con el cable del control remoto entre los soportes verticales del yugo.
- No modifique el TIH 030m.
- Utilice equipos de manipulación adecuados para levantar las piezas de trabajo pesadas.
- Evite el contacto con piezas de trabajo calientes. Lleve los guantes termorresistentes suministrados para manipularlas.

# 1. Introducción

El calentador de inducción SKF TIH 030m ha sido diseñado para calentar rodamientos que han de ser montados con ajuste de interferencia sobre un eje. El calor provoca la dilatación del rodamiento, lo que elimina la necesidad de utilizar la fuerza para su instalación. Normalmente basta con una diferencia de temperatura de 90 °C entre el rodamiento y el eje para que sea posible la instalación. Por tanto, a una temperatura ambiente de 20 °C, el rodamiento deberá calentarse hasta 110 °C.

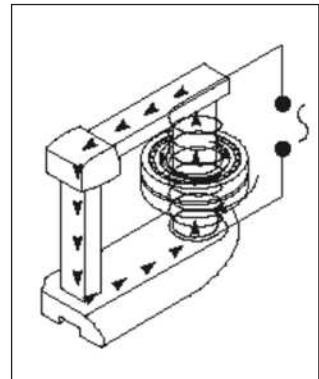
## 1.1 Uso previsto

El TIH 030m ha sido diseñado para calentar rodamientos. No obstante, también se pueden calentar otras piezas de trabajo metálicas que formen un circuito cerrado. Algunos ejemplos son casquillos, zunchos, poleas y engranajes. Todos los rodamientos que se puedan poner alrededor de la bobina de inducción y entre los soportes verticales con el yugo superior en su posición, se pueden calentar con el TIH 030m. Además, los rodamientos de menor tamaño se pueden colocar en cualquiera de los tres yugos estándar. Consulte las imágenes del principio de este manual para ver ejemplos.

## 1.2 Principio de funcionamiento

El TIH 030m genera calor por medio de intensas corrientes eléctricas inducidas magnéticamente en la pieza de trabajo por una bobina situada en el interior del calentador.

La corriente eléctrica de alta tensión y baja intensidad que fluye en el devanado de la bobina de inducción genera una corriente de gran intensidad y baja tensión en la pieza de trabajo. Puesto que la pieza presenta las características eléctricas de una bobina con un único devanado en cortocircuito, la corriente de gran intensidad genera calor dentro de la pieza de trabajo. Al generarse el calor en el interior de la pieza de trabajo, todos los componentes del calentador se mantienen fríos.



## 1.3 Características distintivas

- Panel de control remoto  
El calentador TIH 030m se suministra con un panel de control remoto que puede separarse del calentador para mejorar la facilidad de uso y disminuir el riesgo de contacto con el rodamiento caliente durante la utilización.
- Bobina de inducción  
Mientras se calienta la pieza de trabajo se coloca alrededor de la bobina de inducción. Este diseño mejora la eficacia, produciendo un menor consumo de energía y un calentamiento más rápido, lo que reduce el coste de calentamiento de cada rodamiento.
- Brazos plegables para apoyar los rodamientos  
Para soportar rodamientos de gran tamaño situados alrededor de la bobina de inducción el calentador de inducción TIH 030m está equipado con unos brazos plegables. Consulte las imágenes del principio de este manual.
- Espacio de almacenamiento para yugos  
Los tres yugos pueden almacenarse en el interior del calentador.  
El almacenamiento para dos yugos está situado detrás de los brazos plegables.  
El almacenamiento de los yugos pequeño y mediano está en el espacio de almacenamiento para yugos en el lado del disyuntor del calentador.  
El almacenamiento del yugo grande está en el espacio de almacenamiento para yugos al lado del cable de red del calentador. Consulte las imágenes del principio de este manual.

## 2. Descripción

El funcionamiento del calentador se controla por el sistema electrónico interno de uno de los dos modos siguientes: el operario puede seleccionar la temperatura a la que se desea calentar el rodamiento en TEMP MODE o ajustar el tiempo que desee calentar el rodamiento en TIME MODE.

El nivel de potencia se puede ajustar a 100% ó 50% para el calentamiento más lento de piezas de trabajo delicadas (por ejemplo, rodamientos con juego C1 ó C2).

### 2.1 Componentes

El calentador de inducción TIH 030m contiene un núcleo de hierro en forma de U con una bobina de inducción alrededor de uno de los soportes verticales. Se incluye un panel de control remoto desmontable. El sistema electrónico de control remoto y la electrónica interna controlan el funcionamiento del calentador. Un yugo extraíble situado encima de los soportes verticales permite colocar la pieza de trabajo en el calentador. Para piezas de menor tamaño, se suministran también dos yugos más pequeños. Se incluye también con el calentador una sonda de temperatura, así como guantes termorresistentes.

## 2.2 Datos técnicos

TIH 030m	
Tensión ( $\pm 10\%$ )	230 V / 50 - 60 Hz ó 110V / 50 - 60 Hz
Protección de línea recomendada	fusible de 10 A para 230 V fusible de 20 A para 110 V
Consumo de energía (máximo)	2,0 kVA
Control de temperatura	0 - 250 °C; en intervalos de 1°
Tipo de sonda	termopar, de tipo K
Temperatura máxima de la sonda	250 °C
Modo de tiempo	0 - 60 minutos; en intervalos de 0,1 minuto
Rango de potencia	100%- 50%
Desmagnetización	automático; magnetismo residual <2A/cm
Dimensiones totales (an. x fo. x al.)	460 x 200 x 260
Área de trabajo (ancho x alto)	100 x 135 mm
Diámetro de la bobina	95 mm Para un diámetro interior mínimo del rodamiento de 100 mm
Peso (con yugos)	20,9 kg
Peso máximo de la pieza de trabajo	rodamiento: 40 kg; componente sólido: 20 kg
Temperatura máxima de calentamiento	aprox. 250 °C Según el peso del rodamiento o de la pieza de trabajo. Para temperaturas superiores, comuníquese con SKF.
$m_{20}^*$	28 kg (rodamiento 23136)
Dimensiones estándar del yugo:	Para un diámetro interior mínimo del rodamiento de:
45 x 45x 215 mm	65 mm
28 x 28 x 215 mm	40 mm
14 x 14 x 215 mm	20 mm

\* $m_{20}$  representa el peso (kg) del rodamiento SRB 231 más pesado que se puede calentar de 20 a 110 °C en 20 minutos.

### 3. Instalación del enchufe de red

Un electricista cualificado deberá instalar el enchufe adecuado. La tensión del suministro de corriente correcta figura en la sección 2.2.

Los cables deben conectarse del siguiente modo:

TIH 030m/230V, TIH 030m/110V	
Color del cable del TIH 030m	Terminal de la red eléctrica
amarillo / verde	toma de tierra
azul	neutro
marrón	fase 1

Compruebe que esté instalado el fusible correcto. Consulte la sección 2.2 para conocer las especificaciones nominales del fusible.

### 4. Preparación para su uso

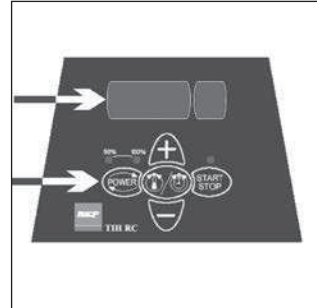
- Sitúe el TIH 030m en posición horizontal sobre una superficie estable.
- Conecte el enchufe de red a una toma de red eléctrica adecuada.
- Enchufe el control remoto en el conector de al lado del asa de transporte del calentador.
- Para las piezas de trabajo con un diámetro interior lo suficientemente ancho como para introducirlo alrededor de la bobina de inducción, siga estos pasos:
  - Coloque la pieza de trabajo sobre la bobina de inducción con ayuda de un equipo de elevación apropiado.
  - Para obtener los mejores resultados, ajuste la posición de la pieza de trabajo de manera que la bobina de inducción quede en el centro.
  - Sitúe el yugo de mayor tamaño de manera que cubra totalmente la parte superior de ambos soportes verticales.
- Para las piezas de trabajo que no quepan sobre la bobina de inducción, siga estos pasos:
  - Elija el mayor de los tres yugos que pueda introducirse a través del diámetro interior de la pieza de trabajo.
  - Si es necesario, retire el yugo superior del TIH 030m.
  - Deslice la pieza de trabajo sobre el yugo seleccionado.
  - Sitúe el yugo sobre el TIH 030m con la parte inferior brillante apoyada uniformemente sobre los dos soportes verticales.
- Si desea utilizar el TEMP MODE, enchufe la sonda de temperatura al conector al lado del asa de transporte del calentador. Sitúe el extremo magnético de la sonda sobre el aro interior del rodamiento o sobre la superficie más interna de la pieza de trabajo.
- Encienda el TIH 030m.
- Observe la autocomprobación de la pantalla de control remoto y el tono de señal.

## 5. Funcionamiento

### 5.1 Función de las pantallas

- La pantalla de control remoto muestra el tiempo o la temperatura seleccionados para el calentamiento.
- El LED de potencia muestra el nivel de potencia seleccionado.

Pantalla	Indicación
t	tiempo en minutos
°C	temperatura en grados centígrados
°F	temperatura en grados Fahrenheit



### 5.2 Función de los botones

Botón	Función
POWER	Pulse para ajustar la potencia La potencia seleccionada aparece indicada con un LED
MODE	Pulse para cambiar entre TIME MODE y TEMP MODE
UP (+)	Pulse para aumentar el valor que aparece en la pantalla de control remoto
DOWN (-)	Pulse para disminuir el valor que aparece en la pantalla de control remoto
START / STOP	Pulse para poner en marcha o detener el calentador El LED del botón START / STOP se enciende cuando el calentador está calentando y se pone intermitente durante la medición de la temperatura

### 5.3 Temp mode (modo de temperatura)

- Si en la pantalla de control remoto aparece “t”, pulse MODE para seleccionar TEMP MODE. La pantalla principal muestra °C o °F en TEMP MODE.
- La temperatura seleccionada aparece indicada en la pantalla de control remoto. La temperatura predeterminada para rodamientos es 110 °C. Si desea una temperatura distinta, pulse UP o DOWN para ajustar la temperatura en intervalos de 1°.
- Puede ser recomendable calentar los rodamientos a temperaturas superiores a 110 °C para un tiempo de montaje más largo. Consulte las especificaciones de los rodamientos SKF para determinar la temperatura máxima permitida. Asegúrese siempre de que el rodamiento no quede bloqueado debido a una excesiva dilatación del aro interior en comparación con el aro exterior. Véase la sección 5.8.
- Pulse POWER para seleccionar el nivel de potencia. Utilice las instrucciones de la sección 5.8 para determinar el nivel de potencia correcto.

- Asegúrese de que la sonda de temperatura esté montada sobre el aro interior del rodamiento.
- Pulse START / STOP para poner en marcha el calentador. La pantalla de control remoto muestra la temperatura actual de la pieza de trabajo.
- Durante el calentamiento, es posible mostrar la temperatura seleccionada durante 1 segundo pulsando MODE.
- Cuando se ha alcanzado la temperatura seleccionada, el calentador desmagnetiza la pieza de trabajo, se apaga y genera una señal acústica durante 10 segundos o hasta que se pulsa START / STOP.
- Pulse START / STOP para detener el calentador.
- Retire la pieza de trabajo con ayuda de un equipo de manipulación adecuado.
- Si la pieza de trabajo permanece en el calentador, éste se pondrá en marcha de nuevo cuando la temperatura descienda 10 °C. Pulse START / STOP para detener el calentador y desmagnetizar la pieza de trabajo.
- El TIH 030m ya está listo para calentar otra pieza de trabajo con la misma configuración.

#### 5.4 Time mode (modo de tiempo)

- Si en la pantalla de control remoto aparece °C o °F, pulse MODE para seleccionar TIME MODE. La pantalla de control remoto muestra "t" en TIME MODE.
- Pulse UP o DOWN para ajustar el tiempo en intervalos de 0,1 minuto.
- Pulse POWER para seleccionar el nivel de potencia. Utilice las instrucciones de la sección 5.8 para determinar el nivel de potencia correcto.
- Pulse START / STOP para poner en marcha el calentador. La pantalla de control remoto mostrará el tiempo restante.
- Durante el calentamiento, es posible mostrar la temperatura medida por la sonda durante un par de segundos pulsando MODE.
- Una vez transcurrido el tiempo, el calentador desmagnetiza la pieza de trabajo, se apaga y genera una señal acústica durante 10 segundos.
- Pulse START / STOP para cancelar la señal acústica y parar el calentador.
- Retire la pieza de trabajo con ayuda de un equipo de manipulación adecuado.
- El TIH 030m ya está listo para calentar otra pieza de trabajo con la misma configuración.

#### 5.5 Medición de la temperatura

Cuando el calentador no está en funcionamiento, es posible medir la temperatura de la pieza de trabajo pulsando MODE y START / STOP al mismo tiempo.

El LED del botón START / STOP se pone intermitente durante la medición de la temperatura. Pulse START / STOP para cancelar la medición de la temperatura.

#### 5.6 Cambio de unidad de temperatura

Pulse MODE y UP simultáneamente para cambiar entre °C y °F.

La unidad de temperatura seleccionada se mantendrá, aunque el aparato se desconecte de la red eléctrica.



## 5.7 Desmagnetización

La pieza de trabajo se desmagnetiza automáticamente cuando termina el calentamiento. La desmagnetización no se producirá si se interrumpe la alimentación o si se apaga el calentador con el interruptor principal. Si desea utilizar el TIH 030m sólo para desmagnetizar, seleccione TIME MODE y ajuste el tiempo a 0,1 minuto (6 segundos).

## 5.8 Selección del nivel de potencia

Durante el calentamiento de rodamientos con un calentador de inducción, la mayor parte del calor se generará en el aro interior del rodamiento. El calor se transmitirá después a través del rodamiento. Por tanto, es importante calentar despacio los rodamientos con una holgura interna pequeña o con una precarga inicial ligera. El calentamiento lento favorece la dilatación uniforme del rodamiento, evitando así que resulte dañado.

La forma, peso, tamaño y juego interno son factores que influyen en la cantidad de tiempo necesario para calentar un rodamiento. La gran variedad de tipos de rodamientos impide la posibilidad de establecer un nivel de potencia específico para cada tipo. En su lugar, se ofrecen las siguientes indicaciones:

- Para rodamientos delicados (incluidos los rodamientos con juego C1 ó C2) o con jaula de latón, no supere el 50% de potencia.
- Cuando utilice el yugo pequeño, no supere nunca el 50% de potencia.

## 6. Características de seguridad

El TIH 030m está equipado con las siguientes características de seguridad:

- Protección automática contra sobrecalentamiento
- Control automático de corriente eléctrica
- Disyuntor de sobrecorriente.
- En el TEMP MODE el calentador se apagará si la sonda de temperatura no registra un incremento de temperatura de 1°C cada 15 segundos (0,25 minutos). Para aumentar el intervalo a 30 segundos (0,50 minutos), pulse MODE y DOWN al mismo tiempo.

## 7. Resolución de problemas

Los fallos del sistema se indicarán mediante una señal acústica y uno de los siguientes códigos de fallo en la pantalla de control remoto:

Pantalla	Fallo	Acción
E03 E	Sobrecalentamiento de la bobina	Espere a que la bobina de inducción se enfríe APAGUE el calentador y vuélvalo a ENCENDER
E05 E	Incremento de temperatura inferior a 1°C cada 15 segundos (o 1° cada 30 segundos)	Examine la conexión de la sonda de temperatura. Si la conexión es correcta, seleccione el intervalo de 30 segundos según lo explicado en la sección 6 o utilice el calentador en el TIME MODE
E06 E	Sonda de temperatura no conectada (o defectuosa) o caída excesiva de temperatura.	Examine la sonda de temperatura
E10E	Problema de comunicación electrónica	APAGUE el calentador y vuélvalo a ENCENDER. Si el problema persiste devuelva el TIH a SKF para su reparación
E11E	Problema de comunicación electrónica	APAGUE el calentador y vuélvalo a ENCENDER. Si el problema persiste devuelva el TIH a SKF para su reparación
E12E	Problema de comunicación electrónica	APAGUE el calentador y vuélvalo a ENCENDER. Si el problema persiste devuelva el TIH a SKF para su reparación

## 8. Piezas de repuesto

Designación	Descripción
TIH 030-P230V	Circuito de alimentación 230 V - 200 - 240 V, 50 - 60 Hz
TIH 030-P110V	Circuito de alimentación 110 V - 100 - 120 V, 50 - 60 Hz
TIH 030-Y7	Yugo 45 x 45 x 215 mm
TIH 030-Y6	Yugo 40 x 40 x 215 mm
TIH 030-Y4	Yugo 28 x 28 x 215 mm
TIH 030-Y3	Yugo 20 x 20 x 215 mm
TIH 030-Y2	Yugo 14 x 14 x 215 mm
TIH 030-YS	Juego de yugos de soporte - 45 x 45 x 100 mm (2x)
TIH CP	Circuito de control
TIH RC	Control remoto

TIH CB10A	Disyuntor de 10 A para TIH 030M/230 V
TIH CB20A	Disyuntor de 20 A para TIH 030M/110 V
TIH P20	Sonda de temperatura tipo K, incl. cable y enchufe
LGAF 3E/0.035	Tubo de pasta anticorrosión LGAF 3E/0.035 para el mantenimiento del calentador

## 9. Mantenimiento

El mantenimiento correcto del calentador es importante para alcanzar la vida útil completa del producto, asegurar el mejor rendimiento y evitar los riesgos asociados.

Antes de utilizar el producto, deben tenerse en cuenta los siguientes consejos:

- Compruebe que no haya daños en la carcasa.
- Compruebe que no haya daños en el aislamiento del cable ni en el enchufe. Si presentan daños, reemplácelos.
- Compruebe que el laminado del yugo no esté roto. Si la delaminación es excesiva, reemplace el yugo con uno nuevo para evitar el ruido extremo y pérdidas de eficiencia.
- Compruebe que el yugo haga buen contacto con el núcleo en forma de U. El área de contacto debe estar limpia y libre de óxido. No debe haber intersticios de aire entre las superficies. Las superficies no paralelas pueden generar vibraciones y ruidos fuertes, además de provocar pérdidas de eficiencia.
- Compruebe que el sistema de cierre (en su caso, los rieles deslizantes o la bisagra giratoria) no esté dañado.
- Compruebe que el sensor de temperatura, el cable y el enchufe estén limpios y no estén rotos. De lo contrario, es posible que la lectura y el control de la temperatura no funcionen correctamente.

Cuando sea necesario, y a intervalos regulares:

- Limpie el calentador con un paño limpio y seco.
- Limpie las superficies de contacto entre el yugo y el núcleo en forma de U. Añada una capa de pasta anticorrosión LGAF 3E para proteger la superficie. Esto ayudará a mantener las superficies libres de óxido, a reducir el ruido del calentador y a mantener su eficiencia.
- Si es necesario, ajuste el sistema de cierre giratorio mediante los tornillos de la bisagra.

## Indice

<b>Dichiarazione di Conformità CE.....</b>	<b>51</b>
<b>Norme di sicurezza.....</b>	<b>52</b>
<b>1. Introduzione.....</b>	<b>53</b>
1.1 Uso previsto.....	53
1.2 Principio di funzionamento.....	53
1.3 Caratteristiche esclusive .....	54
<b>2. Descrizione .....</b>	<b>54</b>
2.1 Componenti .....	54
2.2 Dati tecnici.....	55
<b>3. Installazione della spina di alimentazione di rete.....</b>	<b>56</b>
<b>4. Preliminari all'uso .....</b>	<b>56</b>
<b>5. Funzionamento.....</b>	<b>57</b>
5.1 Funzione dello schermo .....	57
5.2 Funzione dei pulsanti .....	57
5.3 Temp mode (modalità temperatura).....	57
5.4 Time mode (modalità tempo) .....	58
5.5 Misurazione della temperatura.....	58
5.6 Modifica dell'unità di misurazione della temperatura .....	59
5.7 Smagnetizzazione.....	59
5.8 Selezione del livello di alimentazione .....	59
<b>6. Caratteristiche di sicurezza .....</b>	<b>59</b>
<b>7. Risoluzione dei problemi.....</b>	<b>60</b>
<b>8. Ricambi.....</b>	<b>60</b>
<b>9. Manutenzione.....</b>	<b>61</b>

**Traduzione delle istruzioni originali**

## Dichiarazione di conformità CE

### TIH 030m

Noi, SKF MPT, Meidoornkade 14, 3992 AE Houten, Paesi Bassi dichiariamo sotto la nostra responsabilità con la presente che i prodotti descritti in queste istruzioni per l'uso sono conformi alle condizioni delle seguenti direttive:

DIRETTIVA EUROPEA DI BASSA TENSIONE 2014/35/EU

DIRETTIVA EMC 2014/30/UE

DIRETTIVA RoHS (EU) 2015/863 and the harmonized standard:

EN IEC 63000:2018: Technical documentation for the assessment of electrical and electronic products with respect to the restriction of hazardous substances.

e sono conformi ai seguenti standard:

EN61000-6-3:2007 /A1:2011

EN61000-6-2:2005

EN61000-4-2

EN61000-4-3

EN61000-4-4

EN61000-4-5

EN61000-4-6

EN61000-4-8

EN61000-4-11

Houten, Paesi Bassi, Gennaio 2022



Sig.ra Andrea Gondová  
Responsabile Qualità e Conformità





### **Norme di sicurezza**

- Poiché il TIH 030m genera un campo magnetico, i portatori di pace-maker non devono avvicinarsi a più di cinque metri dal TIH 030m mentre è in funzione. Il campo magnetico può alterare anche il funzionamento di meccanismi elettronici, ad esempio quelli degli orologi da polso.
- Durante il processo di riscaldamento mantenere una distanza di sicurezza di 50 cm dal pezzo in lavorazione, dalla bobina e dal nucleo del riscaldatore.
- Attenersi sempre alle istruzioni operative.
- Verificare che la tensione di alimentazione sia corretta.
- Un'eventuale differenza di potenziale tra il TIH 030m e il pezzo in lavorazione può causare un arco voltaico. Ciò non costituisce un pericolo per gli esseri umani e non danneggia il TIH 030m né il pezzo in lavorazione. In ogni caso, il TIH 030m non deve mai essere utilizzato in aree a rischio di esplosione.
- Non esporre il TIH 030m a elevata umidità.
- Non utilizzare mai il TIH 030m senza il giogo in posizione.
- Non utilizzare mai il TIH 030m con il cavo del telecomando posizionato fra i supporti verticali del giogo.
- Non modificare il TIH 030m.
- Per sollevare dei pezzi pesanti da lavorare, usare apposite attrezzature di sollevamento.
- Evitare il contatto con i pezzi riscaldati e maneggiarli indossando i guanti resistenti al calore in dotazione.

# 1. Introduzione

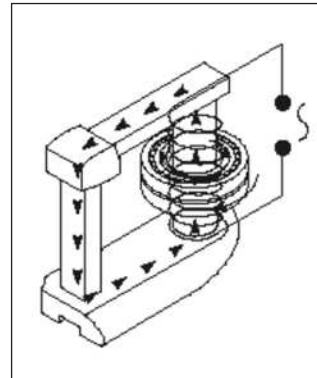
Il riscaldatore a induzione SKF TIH 030m è stato messo a punto per riscaldare i cuscinetti che devono essere montati con interferenza sull'albero. Durante l'installazione non è necessario ricorrere alla forza perché il calore determina la dilatazione del cuscinetto. Di solito una differenza di temperatura di 90 °C tra l'anello interno del cuscinetto e l'albero è sufficiente a consentire l'installazione. Ad una temperatura ambiente di 20 °C, il cuscinetto dovrà quindi essere riscaldato a 110 °C.

## 1.1 Uso previsto

Il TIH 030m è stato progettato per riscaldare i cuscinetti volventi. È possibile, tuttavia, riscaldare anche altri componenti metallici che formano un circuito chiuso. Tra i componenti che è possibile riscaldare sono inclusi, ad esempio, boccole, anelli, pulegge e ingranaggi. Il TIH 030m consente di riscaldare tutti i cuscinetti che possono essere inseriti sulla bobina a induzione e tra i montanti verticali con il giogo superiore in posizione. Cuscinetti di dimensioni inferiori possono, inoltre, essere collocati su uno dei tre gioghi standard. Le illustrazioni all'inizio del presente manuale offrono degli esempi.

## 1.2 Principio di funzionamento

Il TIH 030m produce calore mediante una corrente elettrica che una bobina interna al riscaldatore genera per induzione magnetica nel pezzo in lavorazione. La corrente elettrica ad alta tensione e bassa intensità che attraversa l'elevato numero di avvolgimenti della bobina induttiva crea sul pezzo in lavorazione una corrente elettrica ad alta intensità e a bassa tensione. Poiché il pezzo in lavorazione ha le proprietà elettriche di una bobina con un singolo avvolgimento cortocircuitato, l'alta intensità di corrente genera calore al suo interno. Il calore si sviluppa all'interno del pezzo, per cui tutti i componenti del riscaldatore rimangono freddi.



### 1.3 Caratteristiche esclusive

- **Telecomando**  
Per migliorare la facilità d'uso e per diminuire il rischio di contatto con i cuscinetti ad alta temperatura durante il funzionamento, il riscaldatore TIH 030m viene fornito con un telecomando che può essere staccato dal riscaldatore.
- **Bobina induttiva**  
Per il riscaldamento, il pezzo in lavorazione viene posizionato attorno alla bobina induttiva. Questo metodo migliora l'efficienza, riducendo il consumo di energia elettrica e rendendo più rapido il riscaldamento, con conseguente riduzione del costo necessario per riscaldare ogni cuscinetto.
- **Supporti pieghevoli per cuscinetti**  
Per supportare grossi cuscinetti attorno alla bobina induttiva, il riscaldatore a induzione TIH 030m è dotato di supporti pieghevoli per cuscinetti. Vedere le illustrazioni all'inizio del presente manuale.
- **Stoccaggio dei gioghi**  
E' possibile stoccare tutti e tre i gioghi all'interno del riscaldatore. Due posizioni di stoccaggio si trovano dietro i supporti pieghevoli per cuscinetti. I gioghi di medie e piccole dimensioni possono essere collocati nella posizione di stoccaggio dal lato dell'interruttore automatico. I gioghi di grandi dimensioni possono essere collocati nella posizione di stoccaggio dal lato del cavo di alimentazione. Vedere le illustrazioni all'inizio del presente manuale.

## 2. Descrizione

Sono disponibili due modi per controllare elettricamente l'operazione di riscaldamento. L'operatore può selezionare in TEMP MODE (MODALITÀ TEMPERATURA) la temperatura desiderata per il cuscinetto oppure può impostare in TIME MODE (MODALITÀ TEMPO) il tempo per cui il cuscinetto deve essere riscaldato. La potenza dell'alimentazione può essere regolata al 100% o al 50% per consentire il riscaldamento più lento dei pezzi più delicati (ad esempio i cuscinetti con gioco C1 o C2).

### 2.1 Componenti

Il riscaldatore a induzione TIH 030m contiene un'anima in ferro sagomata a "U" con una bobina induttiva che si svolge attorno a uno dei montanti verticali. Viene fornito un telecomando staccabile. I componenti elettronici del telecomando e l'elettronica interna controllano il funzionamento del riscaldatore. Un giogo scorrevole in cima ai montanti verticali consente di posizionare il pezzo da lavorare sul riscaldatore. Per i pezzi più piccoli sono forniti in dotazione anche due gioghi di dimensioni inferiori. Al riscaldatore sono accluse, inoltre, una sonda termometrica e un paio di guanti resistenti al calore.



## 2.2 Dati tecnici

TIH 030m	
Tensione ( $\pm 10\%$ )	230 V / 50 - 60 Hz o 110 V / 50 - 60 Hz
Protezione di linea consigliata	Fusibile da 10 A nominali per 230 V Fusibile da 20 A nominali per 110 V
Potenza assorbita (massima)	2,0 kVA
Controllo della temperatura	0 - 250 °C, con incrementi di 1°
Tipo di sonda	termocoppia, tipo K
Temperatura massima sonda	250 °C
Modalità tempo	0 - 60 minuti, con incrementi di 0,1 minuto
Campo di potenza	100% - 50%
Smagnetizzazione	automatica; magnetismo residuo <2A/cm
Dimensioni d'ingombro (larghezza x profondità x altezza)	460 x 200 x 260 mm
Area tra i montanti: (larghezza x altezza)	100 x 135 mm
Diametro bobina	95 mm (3.7 in) Per cuscinetti con foro di diametro minimo di 100 mm
Peso (giochi inclusi)	20,9 kg
Peso massimo pezzo in lavorazione	cuscinetto: 40 kg; componente solido: 20 kg
Temperatura di riscaldamento massima	250 °C circa Variabile in base al peso del cuscinetto o del pezzo. Per temperature più elevate, rivolgetevi alla SKF.
$m_{20}^*$	28 kg (cuscinetto 23136)
Dimensioni del giogo standard:	Per cuscinetti con foro di diametro minimo di:
45 x 45 x 215 mm	65 mm
28 x 28 x 215 mm	40 mm
14 x 14 x 215 mm	20 mm

\* $m_{20}$  rappresenta il peso (kg) del cuscinetto più pesante SRB 231 che può essere riscaldato da 20 a 110 °C in 20 minuti.

### 3. Installazione della spina di alimentazione di rete

Affidare a un elettricista qualificato l'installazione di una spina di rete adatta. La tensione di alimentazione corretta è mostrata nel paragrafo 2.2.

I fili devono essere collegati come segue:

TIH 030m/230V, TIH 030m/110V	
Colore del filo del TIH 030m	Morsetto di alimentazione di rete
giallo / verde	terra
blu	neutro
marrone	fase 1

Verificare che sia installato il fusibile corretto. Per informazioni sui valori nominali dei fusibili, vedere il paragrafo 2.2.

### 4. Preliminari all'uso

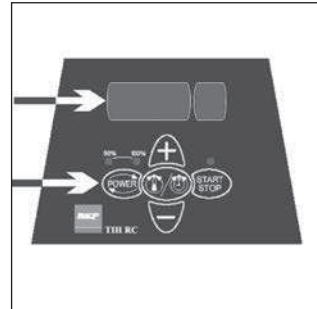
- Mettere il TIH 030m in posizione orizzontale su una superficie stabile.
- Inserire la spina di rete in una presa di rete adatta.
- Collegare il telecomando al connettore posto sul lato del riscaldatore dove è installata la maniglia di trasporto.
- Per i pezzi da lavorare con diametro interno abbastanza grande da potere essere collocati sulla bobina induttiva, osservare le istruzioni seguenti:
  - Posizionare il pezzo da lavorare sopra la bobina induttiva, facendo uso di attrezzature di sollevamento adeguate.
  - Per prestazioni ottimali, regolare la posizione del pezzo in lavorazione in modo che sia concentrico con la bobina induttiva.
  - Posizionare il giogo di dimensioni maggiori in modo che copra completamente la parte superiore di entrambi i sostegni verticali.
- Se i pezzi da lavorare sono di dimensioni tali da non potere essere collocati sopra la bobina induttiva, osservare le istruzioni seguenti:
  - Scegliere tra i tre gioghi il più grande inseribile nel foro interno del pezzo.
  - Se necessario smontare il giogo superiore dal TIH 030m.
  - Fare scorrere il pezzo sul giogo selezionato.
  - Posizionare il giogo sul TIH 030m con il lato lucido sotto e in modo che poggi uniformemente sui due montanti verticali.
- Se si prevede di utilizzare la funzione TEMP MODE (MODALITÀ TEMPERATURA), inserire la sonda termometrica nel connettore sul lato del riscaldatore dove è posizionata la maniglia. Mettere l'estremità magnetica della sonda sull'anello interno del cuscinetto oppure sulla parte più interna della superficie del pezzo in lavorazione.
- Accendere il TIH 030m.
- Attendere che venga completato il test automatico dello schermo sul telecomando e che venga generato il segnale acustico.

## 5. Funzionamento

### 5.1 Funzione dello schermo

- Lo schermo sul telecomando visualizza la temperatura o il tempo di riscaldamento selezionati.
- Il LED di alimentazione mostra la potenza di alimentazione selezionata.

Display	Indicazione
t	tempo in minuti
°C	temperatura in gradi Celsius
°F	temperatura in gradi Fahrenheit



### 5.2 Funzione dei pulsanti

Pulsante	Funzione
POWER (ALIMENTAZIONE)	Premerlo per regolare la potenza La potenza selezionata è indicata da un LED
MODE (MODALITÀ)	Premerlo per passare da TIME MODE (MODALITÀ TEMPO) a TEMP MODE (MODALITÀ TEMPO) e viceversa
UP (SU) (+)	Premerlo per aumentare il valore visualizzato sullo schermo del telecomando
DOWN (GIÙ) (-)	Premerlo per diminuire il valore visualizzato sullo schermo del telecomando
START / STOP (AVVIO / STOP)	Premerlo per avviare o interrompere il riscaldatore Il LED sul pulsante START / STOP (AVVIO / STOP) s'illumina quando il riscaldatore è in fase di riscaldamento e lampeggia durante la misurazione della temperatura

### 5.3 Temp mode (modalità temperatura)

- Se lo schermo del telecomando indica "t", premere MODE (MODALITÀ) per selezionare TEMP MODE (MODALITÀ TEMPERATURA). In TEMP MODE (MODALITÀ TEMPERATURA) lo schermo del telecomando visualizza °C o °F.
- La temperatura selezionata è visualizzata sullo schermo del telecomando. La temperatura predefinita per i cuscinetti è di 110 °C. Se si desidera una temperatura diversa, premere UP (SU) o DOWN (GIÙ) e regolarla con incrementi di 1°.
- Può essere necessario riscaldare i cuscinetti a temperature superiori a 110 °C, per tempi di montaggio più lunghi. Per informazioni sulla temperatura massima consentita, consultare i valori di specifica sui cuscinetti della SKF. Accertare sempre che il cuscinetto non si blocchi a causa di un'espansione eccessiva dell'anello interno rispetto a quello esterno. Vedere il paragrafo 5.8.

- Se necessario premere POWER (ALIMENTAZIONE) per selezionare il livello di alimentazione. Per determinare l'impostazione corretta per l'alimentazione fare riferimento alle istruzioni nel paragrafo 5.8.
- Controllare che la sonda termometrica sia montata sull'anello interno del cuscinetto.
- Premere START / STOP (AVVIO / STOP) per avviare il riscaldatore. Lo schermo sul telecomando mostra la temperatura attuale del pezzo in lavorazione.
- Durante il riscaldamento, è possibile visualizzare la temperatura selezionata per 1 secondo premendo MODE (MODALITÀ).
- Una volta raggiunta la temperatura selezionata, il riscaldatore smagnetizza il pezzo in lavorazione, si spegne e produce un segnale acustico di 10 secondi che può essere interrotto premendo il pulsante START / STOP (AVVIO / STOP).
- Premere START / STOP (AVVIO / STOP) per fermare il riscaldatore.
- Togliere il pezzo, facendo uso di attrezzature di sollevamento adeguate.
- Se il pezzo rimane sul riscaldatore, quest'ultimo ricomincia a funzionare quando la temperatura del pezzo scende di 10°C. Premere START / STOP (AVVIO / STOP) per fermare il riscaldatore e smagnetizzare il pezzo in lavorazione.
- A questo punto il TIH 030m è pronto per riscaldare un altro pezzo con le stesse impostazioni.

#### 5.4 Time mode (modalità tempo)

- Se lo schermo sul telecomando visualizza °C o °F, premere MODE (MODALITÀ) per selezionare TIME MODE (MODALITÀ TEMPO). Lo schermo sul telecomando visualizza "t" in TIME MODE (MODALITÀ TEMPO).
- Premere UP (SU) o DOWN (GIÙ) per regolare il tempo in incrementi di 0,1 minuti.
- Premere POWER (ALIMENTAZIONE) per selezionare il livello di alimentazione. Per determinare l'impostazione corretta per l'alimentazione fare riferimento alle istruzioni nel paragrafo 5.8.
- Premere START / STOP (AVVIO / STOP) per avviare il riscaldatore. Lo schermo sul telecomando mostra il tempo residuo.
- Durante il riscaldamento, è possibile visualizzare la temperatura misurata dalla sonda per un paio di secondi premendo MODE (MODALITÀ).
- Una volta scaduto il tempo, il riscaldatore smagnetizza il pezzo in lavorazione, si spegne e produce un segnale acustico di 10 secondi.
- Premere START / STOP (AVVIO / STOP) per spegnere il segnale acustico e fermare il riscaldatore.
- Togliere il pezzo, facendo uso di attrezzature di sollevamento adeguate.
- A questo punto il TIH 030m è pronto per riscaldare un altro pezzo con le stesse impostazioni.

#### 5.5 Misurazione della temperatura

Quando il riscaldatore non è in funzione, la temperatura del pezzo in lavorazione può essere misurata premendo contemporaneamente MODE (MODALITÀ) e START / STOP (AVVIO / STOP). Mentre viene misurata la temperatura, il LED sul pulsante START / STOP (AVVIO / STOP) lampeggia.

Premere START / STOP (AVVIO / STOP) per annullare il rilevamento della temperatura.

## 5.6 Modifica dell'unità di misurazione della temperatura

Premere contemporaneamente MODE (MODALITÀ) e SU per passare da °C a°F e viceversa.

L'unità di temperatura rimane invariata anche dopo aver scollegato la spina dalla presa di rete.

## 5.7 Smagnetizzazione

Il pezzo in lavorazione si smagnetizza automaticamente quando il riscaldamento è completo. La smagnetizzazione non ha luogo in caso d'interruzione dell'alimentazione oppure se il riscaldatore viene spento tramite l'interruttore principale. Per usare il TIH 030m solo per smagnetizzare, selezionare TIME MODE (MODALITÀ TEMPO) e regolare il tempo su 0,1 minuti (6 secondi).

## 5.8 Selezione del livello di alimentazione

Quando si riscaldano dei cuscinetti con un riscaldatore a induzione, la maggior parte del calore viene prodotta nella pista interna del cuscinetto. Il calore viene poi trasferito attraverso il cuscinetto. Ecco perché è importante che i cuscinetti con gioco interno piccolo o con un leggero precarico siano riscaldati lentamente. Il riscaldamento lento garantisce l'espansione uniforme del cuscinetto, impedendo così danni allo stesso.

La forma, il peso, le dimensioni e i giochi interni sono tutti elementi che influiscono sulla quantità di tempo necessaria per riscaldare un cuscinetto. La grande varietà di tipi di cuscinetti impedisce di impostare uno specifico livello di potenza per ognuno. Vengono, invece, fornite le seguenti istruzioni:

- Per i cuscinetti sensibili (incluso i cuscinetti con gioco interno C1 o C2) o cuscinetti con gabbia in bronzo, non superare un livello di potenza del 50%.
- Quando si usa il giogo piccolo, non superare mai un livello di potenza del 50%.

## 6. Caratteristiche di sicurezza

Il TIH 030m dispone delle seguenti funzioni di sicurezza:

- Protezione automatica da surriscaldamento
- Controllo automatico della corrente
- Interruttore di protezione da sovracorrente.
- In TEMP MODE (MODALITÀ TEMPERATURA), il riscaldatore si spegne se la sonda termometrica non registra un aumento di temperatura di 1° ogni 15 secondi. Per aumentare l'intervallo a 30 secondi, premere contemporaneamente MODE (MODALITÀ) e DOWN (GIÙ).

## 7. Risoluzione dei problemi

Un guasto di sistema viene indicato da un segnale acustico e da uno dei seguenti codici di errore visualizzati sullo schermo del telecomando:

Display	Guasto	Azione
E03 E	Bobina surriscaldata	Attendere che la bobina induttiva si raffreddi Spegner e riaccendere il riscaldatore
E05 E	Aumento di temperatura inferiore a 1°C ogni 15 secondi (o 1° ogni 30 secondi)	Controllare il collegamento della sonda termometrica Se il collegamento è a posto, selezionare l'intervallo di 30 secondi come descritto nel paragrafo 6 oppure utilizzare il riscaldatore in TIME MODE (MODALITÀ TEMPO)
E06 E	Sonda termometrica non connessa (o difettosa) o diminuzione di temperatura eccessiva	Controllare la sonda termometrica
E10E	Problema di comunicazione elettronica	Spegner e riaccendere il riscaldatore Se il problema persiste rimandare il TIH a SKF per le riparazioni
E11E	Problema di comunicazione elettronica	Spegner e riaccendere il riscaldatore Se il problema persiste rimandare il TIH a SKF per le riparazioni
E12E	Problema di comunicazione elettronica	Spegner e riaccendere il riscaldatore Se il problema persiste rimandare il TIH a SKF per le riparazioni

## 8. Ricambi

Appellativo	Descrizione
TIH 030-P230V	Scheda di alimentazione 230V - 200 - 240V, 50 - 60 Hz
TIH 030-P110V	Scheda di alimentazione 110V - 100 - 120V, 50 - 60 Hz
TIH 030-Y7	Giogo 45 x 45 x 215 mm
TIH 030-Y6	Giogo 40 x 40 x 215 mm
TIH 030-Y4	Giogo 28 x 28 x 215 mm
TIH 030-Y3	Giogo 20 x 20 x 215 mm
TIH 030-Y2	Giogo 14 x 14 x 215 mm
TIH 030-YS	Set di supporti per giogo - 45 x 45 x 100 mm (2x)
TIH CP	Scheda di comando
TIH RC T	telecomando

TIH CB10A	Interruttore automatico da 10A per TIH 030M/230V
TIH CB20A	Interruttore automatico da 20A per TIH 030M/110V
TIH P20	Sonda termometrica, tipo K completa di cavo e connettore
LGAF 3E/0.035	Tubetto di pasta antiruggine per manutenzione riscaldatore

## 9. Manutenzione

La corretta manutenzione del riscaldatore è importante per sfruttare appieno la durata di esercizio del prodotto, ottenere prestazioni ottimali ed evitare i rischi associati.

Prima di utilizzare il prodotto, si consiglia di eseguire i seguenti controlli:

- Verificare che l'alloggiamento non sia danneggiato.
- Verificare che l'isolamento del cavo e la spina non siano danneggiati. Sostituire gli eventuali elementi danneggiati.
- Verificare che la laminazione del giogo non sia rotta. Se il giogo presenta una forte delaminazione, sostituirlo con un giogo nuovo in modo da evitare rumori eccessivi e perdite di efficienza.
- Verificare che il giogo sia correttamente a contatto con il nucleo a U. L'area di contatto deve essere pulita e priva di ruggine. Non devono esserci traferri tra le superfici. Superfici non parallele potrebbero generare vibrazioni e forti rumori, nonché causare perdite di efficienza.
- Verificare che il sistema di chiusura (se presente, guide di scorrimento o cerniera girevole) non sia danneggiato.
- Verificare che la sonda di temperatura, il cavo e la spina siano puliti e che non siano rotti. In caso contrario, la lettura e il controllo della temperatura potrebbero non funzionare correttamente.

In caso di bisogno e a intervalli regolari:

- Pulire il riscaldatore utilizzando unicamente un panno pulito e asciutto.
- Pulire le superfici di contatto tra il giogo e il nucleo a U. Per proteggere le superfici, aggiungere uno strato di pasta anti-sfregamento LGAF 3E, che contribuirà a mantenerle prive di ruggine, a ridurre il rumore del riscaldatore e a mantenerne l'efficienza.
- Se necessario, regolare il sistema di chiusura girevole utilizzando le viti della cerniera.

# Índice

Declaração de conformidade EC.....	63
Recomendações de segurança .....	64
<b>1. Introdução.....</b>	<b>65</b>
1.1 Uso previsto .....	65
1.2 Princípio de funcionamento.....	65
1.3 Características distintivas .....	66
<b>2. Descrição .....</b>	<b>66</b>
2.1 Componentes .....	66
2.2 Informações técnicas.....	67
<b>3. Instalação da tomada de rede.....</b>	<b>68</b>
<b>4. Preparação para uso .....</b>	<b>68</b>
<b>5. Funcionamento.....</b>	<b>69</b>
5.1 Função dos visores .....	69
5.2 Função dos botões.....	69
5.3 Temp mode (modo temperatura) .....	69
5.4 Time mode (modo tempo).....	70
5.5 Medição da temperatura.....	70
5.6 Alteração da unidade de temperatura.....	71
5.7 Desmagnetização.....	71
5.8 Seleção do nível de potência.....	71
<b>6. Características de segurança .....</b>	<b>71</b>
<b>7. Resolução de problemas .....</b>	<b>72</b>
<b>8. Peças de reposição .....</b>	<b>72</b>
<b>9. Manutenção .....</b>	<b>73</b>



## Declaração de conformidade UE

### TIH 030m

A SKF MPT, Meidoornkade 14, 3992 AE Houten, Holanda, declara, por meio desta e sob sua inteira responsabilidade, que os produtos a seguir, referentes a esta declaração, estão de acordo com as condições descritas na(s) seguinte(s) Diretiva(s):

DIRETIVA EUROPEIA DE BAIXA TENSÃO 2014/35/UE

DIRETIVA EMC 2014/30/UE

DIRETIVA RoHS (UE) 2015/863 and the harmonized standard:

EN IEC 63000:2018: Technical documentation for the assessment of electrical and electronic products with respect to the restriction of hazardous substances.

e estão em conformidade com as seguintes normas:

EN61000-6-3:2007 /A1:2011

EN61000-6-2:2005

EN61000-4-2

EN61000-4-3

EN61000-4-4

EN61000-4-5

EN61000-4-6

EN61000-4-8

EN61000-4-11

Houten, Holanda, janeiro de 2022



Sra. Andrea Gondová

Gerente de Qualidade e Conformidade





### Recomendações de segurança

- Uma vez que o TIH 030m gera um campo magnético, as pessoas que usam marca-passo devem manter uma distância de cinco metros do TIH 030m durante o seu funcionamento. Equipamentos eletrônicos, tal como relógios de pulso, também pode ser afetados.
- Durante o processo de aquecimento, mantenha uma distância de segurança de 50 cm (1.6 ft) em relação à peça, a bobina do aquecedor ou o núcleo.
- Siga sempre as instruções de uso.
- Certifique-se de que a tensão de alimentação está correta.
- Podem ocorrer arcos elétricos quando existe uma diferença de potencial entre o TIH 030m e a peça de trabalho. Isso não representa perigo para as pessoas e não danificará o TIH 030m ou a peça de trabalho. Contudo, o TIH 030m nunca deve ser utilizado em áreas onde existe o risco de explosões.
- Nunca exponha o TIH 030m a níveis elevados de umidade.
- Nunca use o TIH 030m sem a barra instalada.
- Nunca use o TIH 030m com o cabo do controle remoto entre os suportes verticais da barra.
- Não faça alterações no TIH 030m.
- Utilize equipamentos de manuseio adequados ao manipular peças de trabalho pesadas.
- Evite o contato com peças de trabalho quentes. Para manusear peças de trabalho quentes, utilize as luvas resistentes ao calor fornecidas.

# 1. Introdução

O aquecedor por indução SKF TIH 030m foi concebido para aquecer os rolamentos que estão montados num eixo com um ajustamento fixo. O calor faz com que o rolamento se dilate, o que elimina a necessidade de utilizar a força durante a instalação.

Uma diferença de temperatura de 90 °C entre o rolamento e o eixo é normalmente suficiente para permitir a instalação. A uma temperatura ambiente de 20 °C, o rolamento deverá ser aquecido a 110 °C.

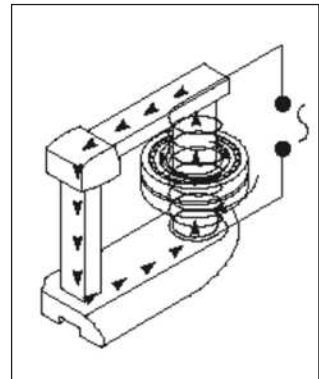
## 1.1 Uso previsto

O TIH 030m foi concebido para aquecer rolamentos de rolos. Contudo, também podem ser aquecidas outras peças de trabalho metálicas que formem um circuito fechado. As peças de trabalho aceitáveis incluem acoplamentos, anéis de aquecimento, polias, e engrenagens. Todos os rolamentos que encaixam sobre a bobina de indução e entre os suportes verticais com a barra superior colocada podem ser aquecidos utilizando-se o TIH 030m. Para além disso, rolamentos menores podem ser colocados sobre qualquer uma das três barras-padrão. Veja os exemplos nas ilustrações no início deste manual.

## 1.2 Princípio de funcionamento

O TIH 030m gera calor através de uma corrente elétrica intensa que é magneticamente induzida na peça de trabalho por uma bobina dentro do aquecedor.

A alta voltagem, de baixa intensidade de corrente elétrica, que passa nas espiras da bobina, induz baixa voltagem, ou seja alta intensidade de corrente elétrica na peça de trabalho. Como a peça de trabalho, se comporta como uma bobina de uma espira só, a alta intensidade de corrente, gera calor apenas na peça de trabalho. Considerando-se que o calor é gerado apenas na peça de trabalho, todos os componentes do aquecedor permanecem frios.



## 1.3 Características distintas

- Painel do controle remoto  
Para melhorar a fácil utilização e para diminuir o risco de contato com o rolamento quente durante o funcionamento, o aquecedor TIH 030m é fornecido com um painel do controle remoto que pode separar-se do aquecedor.
- Bobina de indução  
Quando quente, a peça de trabalho é localizada na mesma posição no núcleo que a bobina de indução. Este modelo melhora a eficiência, resultando num menor consumo de energia e num aquecimento mais rápido, o que reduz o custo para aquecer cada rolamento.
- Suportes retráteis do rolamento  
Para suportar grandes rolamentos posicionados à volta da bobina de indução, o aquecedor por indução TIH 030m está equipado com suportes retráteis do rolamento. Veja as ilustrações no início deste manual.
- Armazenamento das barras  
As três barras podem ser armazenadas no interior do aquecedor. Duas barras ficam localizadas por trás dos suportes retráteis do rolamento. A barra pequena e a barra média ficam guardadas no armazenamento das barras no lado do disjuntor do aquecedor. A barra grande fica guardada no armazenamento das barras no lado do cabo de alimentação do aquecedor. Veja as ilustrações no início deste manual.

## 2. Descrição

O funcionamento do aquecedor é controlado pelo sistema eletrónico interno em qualquer um dos dois modos. O operador pode selecionar a temperatura do rolamento desejada no MODO TEMPERATURA ou configurar o tempo durante o qual o rolamento será aquecido no MODO TEMPO.

O nível de potência pode ser ajustado para 100% ou 50% para um aquecimento mais lento de peças de trabalho sensíveis (por exemplo, rolamentos com folga C1 ou C2).

### 2.1 Componentes

O aquecedor por indução TIH 030m contém um núcleo de ferro em U com uma bobina de indução em volta de um dos suportes verticais. Está incluído um painel do controle remoto destacável. O sistema controle do controle remoto e o sistema eletrónico interno controlam o funcionamento do aquecedor. Uma barra fixa na parte superior dos suportes verticais permite a colocação da peça de trabalho no aquecedor.

Para acomodar peças de trabalho de menores dimensões são também fornecidas duas barras pequenas. Também está incluída no aquecedor uma sonda de temperatura. As luvas resistentes ao calor também estão incluídas.

## 2.2 Informações técnicas

TIH 030m	
Tensão ( $\pm 10\%$ )	230 V / 50 - 60 Hz ou 110 V/50 - 60 Hz
Proteção de linha recomendada	Classificação de fusíveis de 10 A para 230 V Classificação de fusíveis de 20 A para 110 V
Consumo de energia (máximo)	2,0 kVA
Controle de temperatura	0 - 250 °C; em intervalos de 1°
Tipo de sonda	termo-par, tipo K
Temperatura máxima da sonda	250 °C (482 °F)
Modo tempo	0 - 60 minutos; em intervalos de 0,1 minuto
Variação de potência	100% - 50%
Desmagnetização	automática; magnetismo residual <2A/cm
Dimensões totais (largura x profundidade x altura)	460 x 200 x 260 mm
Área entre os suportes (largura x altura)	100 x 135 mm
Diâmetro da bobina	95 mm (3.7 in) Para um diâmetro mínimo do furo do rolamento de 100 mm
Peso (com barras)	20,9 kg
Peso máximo da peça de trabalho	rolamento: 40 kg; componente sólido: 20 kg
Temperatura de aquecimento máxima	Aprox. 250 °C Depende do peso do rolamento ou da peça. Para temperaturas mais altas, entre em contato com a SKF.
$m_{20}^*$	28 kg (rolamento 23136)
Dimensões da barra-padrão:	Para um diâmetro mínimo do furo do rolamento de :
45 x 45x 215 mm	65 mm
28 x 28 x 215 mm	40 mm
14 x 14 x 215 mm	20 mm

\* $m_{20}$  representa o peso (kg) do rolamento SRB 231 mais pesado que pode ser aquecido de 20 para 110 °C em 20 minutos.

### 3. Instalação da tomada de rede

Deve ser instalada uma tomada de rede adequada por um electricista qualificado. A tensão de alimentação correta é mostrada na seção 2.2.

Os fios devem ser ligados da seguinte forma:

TIH 030m/230V, TIH 030m/110V	
Cor do fio do TIH 030m	Terminal da fonte de alimentação
amarelo/verde	terra
azul	neutro
castanho	fase 1

Verifique se o fusível adequado se encontra instalado. Consulte a seção 2.2 para as especificações de classificação de fusíveis.

### 4. Preparação para uso

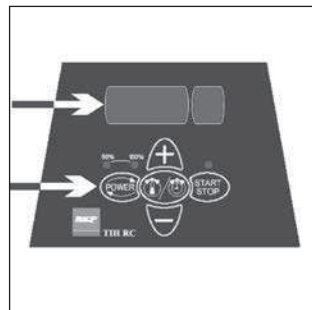
- Coloque o TIH 030m na posição horizontal sobre uma superfície estável.
- Ligue a tomada de rede a uma fonte de alimentação adequada.
- Ligue o controle remoto ao conector no lado da alça de transporte do aquecedor.
- Para peças de trabalho com um diâmetro suficientemente grande para encaixar sobre a bobina de indução, siga estes passos:
  - Coloque a peça de trabalho sobre a bobina de indução utilizando o equipamento de elevação adequado.
  - Para um melhor desempenho, ajuste a posição da peça de trabalho de forma que a bobina de indução fique no centro.
  - Coloque a barra maior em posição de forma que cubra completamente a parte de cima dos suportes verticais.
- Para as peças de trabalho que não encaixem sobre a bobina de indução, siga estes passos:
  - Escolha a maior das três barras que encaixe no diâmetro interno da peça de trabalho.
  - Se necessário, remova a barra superior do TIH 030m.
  - Deslize a peça de trabalho para a barra que escolheu.
  - Posicione a barra no TIH 030m com a parte inferior brilhante apoiada uniformemente nos dois suportes verticais.
- Se utilizar o TEMP MODE (MODO TEMPERATURA), ligue a sonda de temperatura ao conector que se encontra no lado da alça de transporte do aquecedor. Coloque a extremidade magnética da sonda no anel interno do rolamento ou na superfície mais interna da peça de trabalho.
- Ligue o TIH 030m.
- Observe o autoteste do visor do controle remoto e a tonalidade do sinal.

## 5. Funcionamento

### 5.1 Função dos visores

- O visor do controle remoto mostra o tempo ou temperatura selecionada para o aquecimento.
- Os LEDs da potência mostram a configuração da potência selecionada.

Visor	Indicação
t	tempo em minutos
°C	temperatura em graus Celsius
°F	temperatura em graus Fahrenheit



### 5.2 Função dos botões

Botão	Função
POWER	Pressione para ajustar a potência A potência selecionada é indicada com um LED
MODE	Pressione para alternar entre o TIME MODE (MODO TEMPO) e o TEMP MODE (MODO TEMPERATURA)
UP (+)	Pressione para aumentar o valor mostrado no visor do controle remoto
DOWN (-)	Pressione para diminuir o valor mostrado no visor do controle remoto
START/STOP	Pressione para iniciar ou parar o aquecedor O LED no botão START/STOP acende-se quando o aquecedor está aquecendo e pisca durante a medição de temperatura

### 5.3 Temp mode (modo temperatura)

- Se o visor principal mostrar 't', aperte MODE para selecionar o MODO TEMPERATURA. O visor do controle remoto indica °C ou °F no MODO TEMPERATURA.
- A temperatura selecionada é mostrada no visor do controle remoto. A temperatura predefinida para os rolamentos é de 110 °C. Se desejar uma temperatura diferente, aperte UP ou DOWN para ajustar a temperatura em intervalos de 1°.
- É possível aquecer os rolamentos a uma temperatura superior a 110 °C para um aumento do tempo de montagem. Consulte as especificações do rolamentos SKF para determinar a temperatura máxima permitida. Certifique-se sempre de que o rolamento não se bloqueia devido a uma expansão excessiva do anel interno em comparação com o anel externo. Veja a seção 5.8.

- Se necessário, aperte POWER para selecionar o nível de potência. Utilize as diretrizes da seção 5.8 para determinar a configuração de potência correta.
- Assegure-se de que a sonda de temperatura se encontra montada no anel interior do rolamento.
- Aperte START/STOP para iniciar o aquecedor. O visor do controle remoto mostra a temperatura atual da peça de trabalho.
- Durante o aquecimento, é possível mostrar a temperatura selecionada durante 1 segundo apertando MODE.
- Quando tiver sido atingida a temperatura selecionada, o aquecedor desmagnetiza a peça de trabalho, desliga e emite um sinal sonoro durante 10 segundos ou até o botão START/STOP ser pressionado.
- Aperte START/STOP para parar o aquecedor.
- Remova a peça de trabalho com os equipamentos de manuseio adequados.
- Se a peça de trabalho permanecer no aquecedor, este ligará novamente quando a temperatura das peças de trabalho diminuir 10 °C.  
Aperte START/STOP para parar o aquecedor e desmagnetizar a peça de trabalho.
- O TIH 030m está agora pronto para aquecer outra peça de trabalho com as mesmas configurações.

#### 5.4 Time mode (modo tempo)

- Se o visor do controle remoto mostrar °C ou °F, aperte MODE para selecionar o MODO TEMPO. O visor do controle remoto mostra “t” no MODO TEMPO.
- Aperte UP ou DOWN para ajustar o tempo em intervalos de 0,1 minuto.
- Aperte POWER para selecionar o nível de potência. Utilize as diretrizes da seção 5.8 para determinar a configuração de potência correta.
- Aperte START/STOP para iniciar o aquecedor. O visor do controle remoto mostra o tempo que falta.
- Durante o aquecimento, é possível mostrar a temperatura medida pela sonda durante dois segundos apertando MODE.
- Decorrido o tempo, o aquecedor desmagnetiza a peça de trabalho, desliga, e gera um sinal sonoro durante 10 segundos.
- Aperte START/STOP para cancelar o sinal sonoro e parar o aquecedor.
- Remova a peça de trabalho com o equipamentos de manuseio adequados.
- O TIH 030m está agora pronto para aquecer outra peça de trabalho com as mesmas configurações.

#### 5.5 Medição da temperatura

Quando o aquecedor não está em funcionamento, a temperatura da peça de trabalho pode ser medida apertando-se MODE e START/STOP ao mesmo tempo.

O LED no botão START/STOP pisca durante a medição de temperatura.

Aperte START/STOP para cancelar a medição de temperatura.



## 5.6 Alteração da unidade de temperatura

Aperte MODE e UP ao mesmo tempo para mudar entre °C e °F.

A configuração da unidade de temperatura permanece mesmo depois de desligar da rede de alimentação.

## 5.7 Desmagnetização

A peça de trabalho é desmagnetizada automaticamente quando o aquecimento estiver completo. A desmagnetização não ocorrerá se houver uma falha de energia ou se o interruptor principal estiver desligado.

Para utilizar o TIH 030m apenas para desmagnetizar, selecione o MODO TEMPO e configure o tempo para 0,1 minuto (6 segundos).

## 5.8 Seleção do nível de potência

Ao aquecer rolamentos com um aquecedor por indução, a maior parte do calor será gerada no anel interior. O calor será então transferido através do rolamento.

É por isso que é importante que os rolamentos com uma folga interna pequena ou ligeira pré-carga sejam aquecidos lentamente. O aquecimento lento assegura que o rolamento se dilate uniformemente, evitando assim que o rolamento se danifique.

A forma, peso, tamanho, e folgas internas afetam o tempo necessário para aquecer um rolamento. A grande variedade de tipos de rolamentos impede a possibilidade de fornecer uma configuração do nível de potência específico para cada tipo. Em vez disso, são fornecidas as seguintes diretrizes:

- Para rolamentos sensíveis (incluindo rolamento com folga interna C1 ou C2) ou rolamentos com casquilho de latão, não exceda os 50% de potência.
- Quando utilizar a barra pequena nunca exceda os 50% de potência.

## 6. Características de segurança

O TIH 030m encontra-se equipado com as seguintes características de segurança:

- Proteção automática contra sobreaquecimento
- Controle automático de corrente
- Disjuntor de sobrecarga.
- No MODO TEMPERATURA o aquecedor desliga se a sonda de temperatura não registrar um aumento de temperatura de 1 °C a cada 15 segundos (0,25 minuto). Para aumentar o intervalo para 30 segundos (0,50 minuto), aperte MODE e DOWN ao mesmo tempo.

## 7. Resolução de problemas

Uma anomalia do sistema será indicada através de um sinal sonoro e um dos seguintes códigos de anomalia será visualizado no visor do controle remoto:

Visor	Anomalia	Ação
E03 E	Bobina sobreaquecida	Esperar até a bobina de indução arrefecer Desligue o aquecedor e volte a ligar
E05 E	Aumento da temperatura inferior a 1 °C cada 15 segundos (ou 1 °C cada 30 segundos)	Verifique a ligação da sonda de temperatura Se a ligação estiver correta, selecione o intervalo de 30 segundos conforme descrito na seção 6 ou utilize o aquecedor no MODO TEMPO
E06 E	A sonda de temperatura não está ligada (ou tem defeitos) ou descida excessiva de temperatura	Verifique a sonda de temperatura
E10E	Problema de comunicação do sistema eletrônico	Desligue o aquecedor e volte a ligar Se o problema permanecer, devolva o TIH à SKF para reparo
E11E	Problema de comunicação do sistema eletrônico	Desligue o aquecedor e volte a ligar Se o problema permanecer, devolva o TIH à SKF para reparo
E12E	Problema de comunicação do sistema eletrônico	Desligue o aquecedor e volte a ligar Se o problema permanecer, devolva o TIH à SKF para reparo

## 8. Peças de reposição

Denominação	Descrição
TIH 030-P230V	Power Print de 230 V - 200 - 240 V, 50 - 60 Hz
TIH 030-P110V	Power print de 110 V - 100 - 120 V, 50 - 60 Hz
TIH 030-Y7	Barra 45 x 45 x 215 mm
TIH 030-Y6	Barra 40 x 40 x 215 mm
TIH 030-Y4	Barra 28 x 28 x 215 mm
TIH 030-Y3	Barra 20 x 20 x 215 mm
TIH 030-Y2	Barra 14 x 14 x 215 mm
TIH 030-YS	Conjunto de barras de suporte - 45 x 45 x 100 mm (2x)
TIH CP	Placa de controle
TIH RC	Controle remoto
TIH CB10A	Disjuntor de 10A para TIH 030M/230 V
TIH CB20A	Disjuntor de 20A para TIH 030M/110 V

TIH P20	Sonda de temperatura tipo K, incl. cabo e ficha
LGAF 3E/0.035	Tubo de pasta anticorrosão para manutenção de aquecedor LGAF 3E/0.035

## 9. Manutenção

A manutenção correta do aquecedor é importante para atingir toda a vida útil do produto, garantir o melhor desempenho e evitar riscos relacionados.

As seguintes recomendações devem ser levadas em consideração antes de usar o produto:

- Verifique se não há avarias na caixa.
- Verifique se não há avarias no isolamento do cabo e no plugue. Caso haja, troque-os.
- Verifique se a laminação da barra não está danificada. Se houver muita delaminação, troque a barra por uma nova para evitar ruído excessivo e perdas de eficiência.
- Verifique se o contato da barra com o núcleo em forma de U é apropriado. A área de contato deve estar limpa e sem ferrugem. Não deve haver lacunas de ar entre as superfícies. Superfícies não paralelas podem gerar vibrações e ruídos altos, bem como causar perdas de eficiência.
- Verifique se o sistema de fechamento (se houver; trilhos deslizantes ou uma articulação giratória) não está danificado.
- Verifique se a sonda de temperatura, o cabo e o plugue estão limpos e não estão danificados. Caso contrário, a leitura e o controle de temperatura podem não funcionar adequadamente.

Quando necessário e em intervalos regulares:

- Limpe o aquecedor usando apenas um pano seco e limpo.
- Limpe as superfícies de contato entre a barra e o núcleo em forma de U. Adicione uma camada de pasta anticorrosão LGAF 3E para proteger a área superficial. Isso ajudará a manter as superfícies sem ferrugem, a reduzir o ruído do aquecedor e a manter a eficiência dele.
- Se necessário, ajuste o sistema rotativo de fechamento usando os parafusos na articulação.

# 目录

符合欧盟相关产品条例的声明 .....	75
安全需知 .....	76
1. 简介 .....	77
1.1 用途 .....	77
1.2 工作原理 .....	77
1.3 产品特点 .....	78
2. 描述 .....	78
2.1 组件 .....	78
2.2 技术参数 .....	79
3. 接上电源接头 .....	80
4. 用前准备 .....	80
5. 操作 .....	81
5.1 显示 .....	81
5.2 按键功能 .....	81
5.3 温度模式 .....	81
5.4 时间模式 .....	82
5.5 温度测量 .....	82
5.6 改变温度单位 .....	82
5.7 退磁 .....	83
5.8 加热功率选择 .....	83
6. 安全保护 .....	84
7. 故障排除 .....	84
8. 备件 .....	85
9. 维护 .....	85

## 符合欧盟相关产品条例的声明

### TIH 030m

我们，SKF MPT，Meidoornkade 14，3992 AE Houten 荷兰 全权负责并申明在所  
示使用说明书中所描述的产品，符合下列“系列”指令要求：

欧盟电磁兼容指令 VOLTAGE DIRECTIVE 2014/35/EU

欧盟电磁兼容指令 EMC DIRECTIVE 2014/30/EU

RoHS 指令 (EU) 2015/863 and the harmonized standard:

EN IEC 63000:2018: Technical documentation for the assessment of electrical and  
electronic products with respect to the restriction of hazardous substances.

并遵从以下标准：

EN61000-6-3:2007 /A1:2011

EN61000-6-2:2005

EN61000-4-2

EN61000-4-3

EN61000-4-4

EN61000-4-5

EN61000-4-6

EN61000-4-8

EN61000-4-11

Houten, 荷兰，2022年1月



Mrs. Andrea Gondová

质量与合规经理





### 安全需知

- 由于TIH 030m加热器在工作时会产生磁场，因此在使用时，带心脏起搏器的人不可以站在距加热器周围5米范围内。另外一些电子产品，如手表，也会受到电磁场的影响。
- 在加热过程中，与加热器保持最小50cm的距离。
- 在任何时候请遵从本说明书进行操作。
- 确保使用正确的电源电压。
- 在TIH 030m加热器和被加热的工件之间存在电位时，有可能产生电弧。但这对人体没危险，也不会损坏加热器和工件。但是，千万不要在有爆炸危险的区域里使用TIH 030m 加热器。
- 不要将TIH 030m加热器置于高湿度环境或直接与水接触。
- 不要在磁轭没有放置到位的情况下启动TIH 030m加热器。
- 加热器TIH 030m工作时，千万不要让控制面板的电缆从支撑磁轭的两个立柱间穿过。
- 不要自行改装TIH 030m加热器。
- 请使用合适的设备搬动重型工件。
- 避免直接接触加热后的工件，请使用耐热手套来搬运工件。

# 1. 简介

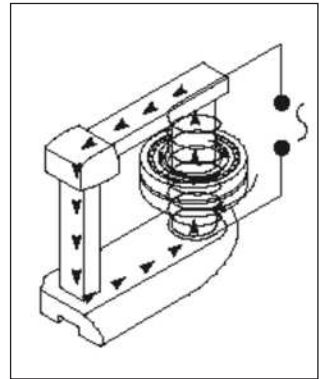
SKF的TIH 030m感应式加热器设计用来加热与轴过盈配合的轴承，加热使轴承膨胀，安装时不再需要加机械安装力。当轴承与轴的温差达到90°C时，安装所需的膨胀量是足够的。当环境温度为20°C时，轴承也就需要加热到110°C。

## 1.1 用途

TIH 030m加热器设计用于加热滚动轴承。然而，其它构成铁磁性回路的工件也可以被加热。例如衬套、扣环、皮带轮、齿轮、联轴器等。所有能够套到感应线圈上、横跨在支撑立柱间（磁轭放置到位）的轴承都可以使用TIH 030m加热器来加热。此外，小尺寸的轴承还可以挂在三根不同规格的标准配置的磁轭上加热。有关使用，请参阅本说明书最前面的示意图。

## 1.2 工作原理

TIH 030M加热器感应线圈通过电磁感应产生的磁场使工件内部产生大量的电流，转变为热量。高电压、低电流通过TIH 030m有大量匝数的感应线圈，而在工件上产生低电压、高电流。因为工件的电磁特性相当于单匝的短路线圈，在工件内产生高电流而生热。因为电流产生于工件内部，所以加热器的其它组件不会被加热。



## 1.3 产品特点

- 可移动的控制面板  
提高了使用的方便性、降低了操作过程中碰到被加热工件而被烫伤的危险，随加热器一块提供的可移动的控制面板可以吸附到加热器侧面上。
- 电磁感应线圈  
把要加热的工件套在电磁感应线圈上，这样的设计提高了加热效率，减少了能耗，更快地加热，从而降低加热每一套轴承所需的成本。
- 可折叠的支撑地脚  
为了能支撑套在电磁感应线圈上的大型轴承，TIH 030m电磁感应加热器采用了可折叠的三脚支撑结构。参见本说明书最前面的使用示意图。
- 磁轭存储室  
小尺寸的磁轭可以放在加热器的磁轭存储室里。磁轭存储室位于折叠支撑脚的后面。参见本说明书最前面的示意图。

## 2. 描述

加热器的操作控制是通过内部电子线路来完成的，有两种模式。使用者可以在“温度模式”下设定轴承需要加热的目标温度，也可以在“时间模式”下设定需要加热的时间长度。加热功率可以从100%调为50%，以减缓对热敏工件（如C1、C2游隙的轴承）的加热速度。

### 2.1 组件

TIH 030m感应式加热器包括一个U型的铁芯和缠绕在侧面垂直支柱上的感应线圈，以及一个可吸附在加热器上的控制面板。可移动面板里的电子线路和加热器内的电子线路用于控制加热器。在两个支撑立柱上放置一个可取下来的磁轭，以便将工件放到加热器上。为了便于加热小尺寸的工件，随机提供了两根小尺寸的磁轭。加热器还包括有一个温度传感器和一双隔热手套。



## 2.2 技术参数

TIH 030m	
电压 (± 10%)	230V或110V (50 - 60Hz)
推荐的电源保护	10A保险丝 (230V) 20A保险丝 (110V)
功率 (最大)	2,0 kVA
温度控制	0 - 250 °C, 步进单位1°C
温度传感器类型	耦合, K型
传感器最大温度	250 °C
时间控制	0 - 60分钟, 步进单位为0.1分钟 (6秒)
功率范围	100% - 50%
退磁功能	自动 剩磁 <2A/cm
外形尺寸 (w x d x h)	460 x 200 x 260 mm
支撑立柱间距 (工作面 w x h)	100 x 135 mm
电磁感应线圈直径	95mm, 可加热轴承最小内径为100mm
重量 (含磁轭)	20,9 kg
可加热工件最大重量	轴承40kg, 环形实体工件20kg
可加热最高温度	约250 °C 踏必一械绿但睫0炜炆ガ裹鹁启婢约外菊 蹂葵苳勺SKFガ
$m_{20}^*$	28kg (对应轴承23136)
标配磁轭	适用轴承的最小内径
45 x 45 x 215 mm	65 mm
28 x 28 x 215 mm	40 mm
14 x 14 x 215 mm	20 mm

\* $m_{20}$  表示在20分钟内能够从20°C加热到110°C的SRB 231系列轴承的最大重量(kg)。

### 3. 接上电源接头

必须由具有电气资质的工程师接上一个合适的电源接头。所需接入的正确电源参见2.2节。

请按下述说明进行接线。

TIH 030m/230V, TIH 030m/110V	
TIH 030M接线的颜色	供电电源线
黄/绿线	地线
蓝线	零线
褐线	—相线（火线）

检查是否已安装正确的保险丝。保险丝额定规格可参考2.2节。

### 4. 用前准备

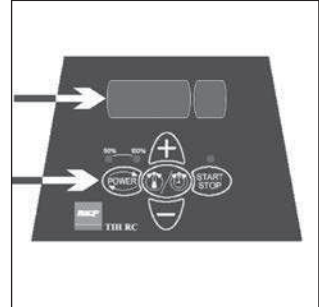
- 将TIH 030M放置在平稳的水平面上。
- 正确地连接电源电线。
- 将可移动的控制面板接入加热器手柄侧的接口。
- 对内孔足够大的工件套到电磁感应线圈上，请遵循以下操作步骤：
  - 展开加热器的支撑地脚，见本说明书最前面的示意图。
  - 使用相应的搬运设备将工件套到电磁感应线圈上。
  - 为了得到最好的加热效果，调整工件的位置，让感应线圈居于工件的中心。
  - 放上最大的磁轭，使它与加热器两立柱顶端端面完全接触。
- 对不能够套到电磁感应线圈上的工件，请遵循以下操作步骤：
  - 从标准配备的三根磁轭中选择能够穿过工件内孔的最大的那一根。
  - 将工件穿到选中的那根磁轭上。
  - 将磁轭放置到TIH 030m加热器上，确保磁轭光亮的那边朝下，并与加热器的两立柱顶端端面有完好的接触。
- 若选择了温度模式（TEMP MODE），请将温度传感器插头插到加热器手柄侧的接口，将温度传感器的磁吸探头吸附到轴承的内圈或者是其它工件最靠近里面的地方。
- 打开TIH 030m的电源。
- 留意可移动控制面板的显示和其它信号。

## 5. 操作

### 5.1 显示

- 控制面板显示需要加热到的目标温度或时间长度
- LED电源指示灯显示选定的加热功率

显示	意义
t	时间，以分钟为单位
°C	摄氏温度
°F	华氏温度



### 5.2 按键功能

按键	功能
POWER	按下，循环选择功率。选定的加热功率为LED灯指示出来
加热模式	按下，循环选择时间模式（TIME MODE）或温度模式（TEMP MODE），见图中时钟/温度计图标
UP (+)	按下或按住，增加控制板上显示的数值
DOWN (-)	按下或按住，减小控制板上显示的数值
START / STOP	按下，启动或者停止加热程序。加热器工作的时候，START / STOP按键上方的LED灯亮，在测温过程中，该LED灯闪烁

### 5.3 温度模式

- 如果可移动控制面板显示“t”，按下“加热模式”键，选择温度模式（TEMP MODE），在温度模式下，控制面板显示°C或°F。
- 设定的加热目标温度显示在控制板上。默认的轴承加热目标温度为110°C。若需要加热的目标温度与此不符，请按“上/下”键调到想要的温度，步进长度为1°C。
- 若轴承安装过程中所需时间要长，是需要把轴承加热超过110°C的。请查询SKF轴承技术参数，确定轴承允许加热的最高温度。无论怎样，加热过程中因为内圈相对于外圈有更大的膨胀，请确保轴承不会被卡死。参见5.8节。
- 若有需要，请按“POWER”键选择加热功率水平。参见5.8节中的指导说明选择合适的加热功率。
- 请确认温度传感器探头吸附到了轴承内圈上。
- 按下“START / STOP”键启动加热器。控制面板显示工件的当前温度。
- 在加热过程中，按下“加热模式”键可以显示设定的加热目标温度1秒钟。
- 当加热至目标温度，加热器会自动对工件进行退磁、关闭并发出长为10秒的提示音直至按下“START / STOP”键。

- 按下“START / STOP”键终止提示音，停止加热。
- 用合适的搬运设备取下加热好的工件。
- 加热后的工件继续放在加热器上，若温度下降了10°C，加热器就会重新启动。按下“START / STOP”停止加热并自动退磁。
- TIH 030m加热器可继续用同样的设置来加热下一个工件。

## 5.4 时间模式

- 若控制面板显示°C或°F，按下“加热模式”键，选择时间模式（TIME MODE），在时间模式下，控制面板显示“t”。
- 按“上/下”键调节加热时间长度，步进单位为0.1分钟。
- 按下“POWER”键，选择加热功率水平。参见5.8节中的指导说明选择合适的加热功率。
- 按下“START/STOP”键启动加热器。控制面板显示剩余的加热时间。
- 在加热过程中，按下“加热模式”键数秒，温度传感器可显示工件的当前温度（温度传感器已安装到工件最靠里面的地方）。
- 当加热到了设定的时间，加热器会自动对工件退磁、关闭并发出长为10秒的提示音。
- 按下“START/STOP”键终止提示音，停止加热。
- 用合适的搬运设备取下加热好的工件。
- TIH 030m加热器可继续用同样的设置来加热下一个工件。

## 5.5 温度测量

在加热器没工作的情况下，可同时控下“加热模式”键和“START / STOP”键来测量工件的温度。在测量过程中，“START / STOP”键上方的LED灯会闪烁。再次按下“START / STOP”键，停止温度测量。

## 5.6 改变温度单位

同时按下“加热模式”键和“上”键，循环选择°C或°F。温度单位选择好后，即使断开了电源，设置将会保持不变。除非主动修改这一设置。

## 5.7 退磁

在加热完成的时候，加热会自动对工件退磁。在电源中断或者是断路器断开时，自动退磁功能失效。若只使用TIH 030m加热器的退磁功能，请选用时间模式，并将加热目标时间长度设定为0.1分钟（6秒）。

## 5.8 加热功率选择

使用感应加热器加热轴承时，大部分热量产生在轴承内圈，热量会传递到整个轴承。对于游隙较小的轴承，缓慢地加热就非常重要。缓慢加热能确保轴承均匀膨胀，以防损坏轴承。所需加热时间与轴承的形状、重量、尺寸以及内部游隙都有关系。由于轴承的种类及型号繁多，因此不可能为每一种型号指定某一加热功率水平。但是，我们提供以下指导：

- 对热敏感的轴承（如C1、C2游隙的）或黄铜保持架的轴承，不要超过50%加热功率
- 使用小尺寸的磁轭时，不要超过50%加热功率

## 6. 安全保护

TIH 030m具有以下安全保护功能：

- 自动过热保护
- 自动电流控制
- 过电流断路器
- 在温度模式下，每15秒（0.25分钟）内检测到的温度上升不及1°C，加热器会自动关闭。要把时间间隔增加到30秒（0.50分钟），请同时按下“加热模式”和“下”键。

## 7. 故障排除

加热器故障时，系统会发出提示音，显示器可能显示以下故障代码：

显示	故障	措施
E03 E	感应线圈过热	等到感应线圈冷却。关闭加热器，过一段时间再启动
E05 E	15秒（或30秒）内温升小于1°C	请检查温度传感器的连接。如果连接正常，按6节所述将时间间隔调整为30秒。或者选择时间加热模式
E06 E	温度传感器没有连接（或出故障）或温度急速下降	请检查温度传感器
E10E	电子通讯故障	请关闭加热器，再重新启动。若问题还存在，请送回SKF
E11E	电子通讯故障	请关闭加热器，再重新启动。若问题还存在，请送回SKF
E12E	电子通讯故障	请关闭加热器，再重新启动。若问题还存在，请送回SKF

## 8. 备件

订货号	描述
TIH 030-P230V	电源电路板, 230V。220 - 240V, 50 - 60Hz
TIH 030-P110V	电源电路板, 110V。100 - 120V, 50 - 60Hz
TIH 030-Y7	磁轭, 45 x 45 x 215 mm
TIH 030-Y6	磁轭, 40 x 40 x 215 mm
TIH 030-Y4	磁轭, 28 x 28 x 215 mm
TIH 030-Y3	磁轭, 20 x 20 x 215 mm
TIH 030-Y2	磁轭, 14 x 14 x 215 mm
TIH 030-YS	磁轭, 45 x 45 x 100 mm (每组2个)
TIH CP	控制电路板
TIH RC	可移动控制面板
TIH CB10A	10A断路器, 用于TIH 030M/230V
TIH CB20A	20A断路器, 用于TIH 030M/110V
TIH P20	温度传感器, K型, 包括电缆和插头
LGAF 3E/0.035	为加热器维保使用的抗蠕动腐蚀剂LGAF 3E/0.035

## 9. 维护

对加热器进行合适的维护保养非常重要, 以延长其使用寿命, 确保良好的使用性能和避免相关使用风险。

使用前请注意以下事项:

- 检查确认加热器外壳无损伤。
- 检查确认电缆线和插头的绝缘包层无破损, 如有请更换。
- 检查确认磁轭叠片(硅钢片)无破损分离, 如果分离较多, 请更换新的磁轭以避免出现噪音和降低加热效率。
- 检查确认磁轭与U型磁芯接触良好。接触面应当干净无锈。接触面间不应有气隙。不平行的接触面会导致加热时产生振动、噪音和降低加热效率
- 检查确认闭合系统(如滑动导轨或铰链)无损坏。
- 确保温度传感器探头、电缆线和插座清洁且无损坏。否则温度读数和控制可能会不准确。

应当做到定期:

- 用干净的干燥的抹布清理加热器。
- 清洁磁轭和U型磁芯之间的接触面。涂抹一层LGAF 3E抗蠕动腐蚀剂保护接触面。这有助于保持表面不生锈、减少加热器的噪音以及维持加热性能。
- 在需要时, 调节铰链中的螺丝来调整闭合旋转系统。

## Содержание

Декларация соответствия ЕС .....	87
Рекомендации по безопасности .....	88
<b>1. Введение.....</b>	<b>89</b>
1.1 Рекомендации по применению .....	89
1.2 Принцип работы .....	89
1.3 Особенности .....	90
<b>2. Описание.....</b>	<b>90</b>
2.1 Компоненты .....	90
2.2 Технические характеристики .....	91
<b>3. Подключение.....</b>	<b>92</b>
<b>4. Подготовка к использованию .....</b>	<b>92</b>
<b>5. Работа .....</b>	<b>93</b>
5.1 Функции дисплея .....	93
5.2 Функции клавиш.....	93
5.3 Режим температуры.....	93
5.4 Временной режим .....	94
5.5 Измерение температуры .....	94
5.6 Выбор температурной шкалы.....	95
5.7 Размагничивание.....	95
5.8 Выбор уровня мощности.....	95
<b>6. Функции безопасности .....</b>	<b>95</b>
<b>7. Неисправности .....</b>	<b>96</b>
<b>8. Запасные части .....</b>	<b>96</b>
<b>9. Техобслуживание .....</b>	<b>97</b>



## Декларация соответствия нормам ЕС

### ТИН 030m

Мы, SKF MPT, Meidoornkade 14, 3992 AE Houten, The Netherlands (Нидерланды) настоящим подтверждаем, что продукция, описанная в данной инструкции по эксплуатации, соответствует условиям следующей директивы (директив):

ЕВРОПЕЙСКАЯ ДИРЕКТИВА 2014/35/EU ПО НИЗКОВОЛЬТНОМУ  
ОБОРУДОВАНИЮ

ДИРЕКТИВА EMC 2014/30/EU

ДИРЕКТИВА RoHS (EU) 2015/863 and the harmonized standard:

EN IEC 63000:2018: Technical documentation for the assessment of electrical and electronic products with respect to the restriction of hazardous substances.

и соответствует следующим стандартам:

EN61000-6-3:2007 /A1:2011

EN61000-6-2:2005

EN61000-4-2

EN61000-4-3

EN61000-4-4

EN61000-4-5

EN61000-4-6

EN61000-4-8

EN61000-4-11

Хаутен, Нидерланды, Январь 2022 г.



Mrs. Andrea Gondová

Андреа Гондова

Руководитель отдела контроля и гарантии качества





### Рекомендации по безопасности

- Поскольку ТИН 030m генерирует магнитное поле, люди, носящие сердечные стимуляторы, не должны находиться ближе 5 метров (16 фт.) от работающего нагревателя. Электронное оборудование также может быть подвержено влиянию магнитного поля.
- В течение процесса нагрева сохраняйте безопасную дистанцию 50 см (1.6 фт) от нагреваемой детали, катушки и корпуса нагревателя.
- Всегда следуйте настоящей инструкции.
- Напряжение в сети питания должно соответствовать техническим требованиям нагревателя.
- Во время работы нагревателя может возникнуть электрическая искра между прибором и нагреваемой деталью. Это не опасно для оператора и не может стать причиной повреждения нагревателя или детали. Однако ТИН 030m не должен использоваться в зонах с повышенной взрывоопасностью.
- Не используйте ТИН 030m в условиях повышенной влажности.
- Не включайте нагреватель без сердечника.
- Не используйте нагреватель с кабелем блока удаленного контроля между опорами сердечников.
- Не ремонтируйте ТИН 030m.
- Используйте специальные инструменты для перемещения тяжелых деталей.
- Не прикасайтесь к нагретым деталям. Надевайте специальные термозащитные перчатки для работы с нагретыми деталями.

## 1. Введение

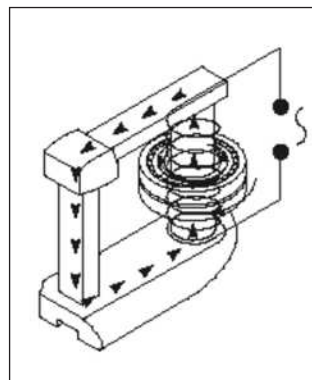
Нагреватель SKF TИH 030m предназначен для нагрева подшипников для посадки с натягом на вал. Вследствие нагрева диаметр отверстия подшипника увеличивается, поэтому нет необходимости прикладывать усилие для монтажа. Разности температур в 90 °C (162 °F) между подшипником и валом обычно достаточно для монтажа. Следовательно, при температуре окружающей среды 20°C (68 °F) подшипник должен быть нагрет до 110 °C (230 °F).

### 1.1 Рекомендации по применению

Нагреватель TИH 030m используется для нагрева подшипников качения. Однако, другие металлические детали, такие как, посадочные кольца, шкивы, шестерни, втулки, полумуфты и т.д., также можно нагревать с помощью данного прибора. Все подшипники, которые могут быть размещены на вертикальной индукционной катушке, либо на верхнем сердечнике, могут быть нагреты с помощью TИH 030m. Кроме того, малые подшипники могут быть размещены на любом из трех стандартных сердечников, например как показано на иллюстрациях в начале инструкции.

### 1.2 Принцип работы

Индукционный нагреватель имеет в основе тот же принцип действия, что и обычный трансформатор. На стальном магнитопроводе имеется первичная обмотка с большим количеством витков, подшипник или другая нагреваемая деталь выполняет роль вторичной короткозамкнутой обмотки. Соотношение напряжений на первичной и вторичной обмотках равно соотношению количества витков, в то время как мощность остается постоянной. Таким образом, в нагреваемой детали циркулирует большой ток малого напряжения, благодаря чему деталь интенсивно нагревается, а первичная обмотка и магнитопровод остаются холодными.



## 1.3 Особенности

- Блок дистанционного управления  
Для облегчения эксплуатации и во избежание возможности контакта с нагретыми деталями в процессе работы, нагреватель ТИН 030m снабжен съемной панелью удаленного доступа.
- Индукционная катушка  
Отличительной особенностью нагревателей ТИН 030m является размещение индукционной катушки непосредственно в отверстии нагреваемой детали. Это повышает эффективность нагрева, снижает энергопотребление и время нагрева, и, следовательно, уменьшает стоимость нагрева каждого подшипника.
- Складная опора для подшипников  
Для поддержания больших подшипников, располагаемых вокруг катушки, нагреватель снабжен опорами, работа с которыми показана в начале данной инструкции.
- Хранение сердечников  
Все три сердечника могут храниться внутри нагревателя.  
Большой сердечник храниться в нагревателе со стороны главного кабеля. См. иллюстрацию в начале инструкции.

## 2. Описание

Операция нагрева контролируется встроенной электроникой. Оператор может сам установить желаемую температуру подшипника в режиме «TEMP MODE» или установить длительность времени нагрева подшипника в режиме «TIME MODE». Уровень мощности может быть установлен 100% или 50% для медленного или бережного нагрева чувствительных деталей (например, для подшипников с зазором C1 или C2).

### 2.1 Компоненты

Индукционный нагреватель ТИН 090m содержит U-образный металлический сердечник с индукционной катушкой вокруг вертикальной опоры. Также имеется съемная панель удаленного управления. Съемная часть магнитопровода на вертикальной опоре дает возможность размещать нагреваемую деталь на нагревателе. Нагреватель оснащен датчиком температуры с магнитным креплением для контроля температуры нагреваемой детали. Термозащитные перчатки входят в комплект поставки.

## 2.2 Технические характеристики

ТИН 030m	
Напряжение ( $\pm 10\%$ )	230 В / 50 - 60 Гц или 110 В / 50 - 60 Гц
Рекомендуемая защита	10 А предохранитель для 230 В 20 А предохранитель для 110 В
Потребляемая мощность (максим.)	2,0 kVA
Контроль температуры	0 - 250 °C (32 - 482 °F); с шагом в 1°
Датчик температуры	Термопара, К типа
Максимальная температура датчика	250 °C (482 °F)
Временной режим	0 - 60 минут; с шагом 0,1 минуты
Диапазон мощностей	100% - 50%
Размагничивание	автоматическое; остаточная намагниченность <2А/см
Размеры (ш x д x в)	460 x 200 x 260 мм (18.1 x 7.9 x 10.2 д)
Зона между опорами (ш x в)	100 x 135 мм (3.9 x 5.3 д)
Диаметр катушки	95 мм (3.7 д) Для подшипников с минимальным отверстием 100 мм (3.9 д)
Вес (включая сердечники)	20,9 кг (46.0 ф)
Максимальный вес нагреваемой детали	подшипник: 40 кг (88 ф); прочая деталь: 20 кг (44 ф)
Максимальная температура нагрева	прибл. 250 °C (482 °F) В зависимости от веса подшипника или детали. Информацию о более высоких температурах можно получить в технической службе SKF.
$m_{20}^*$	28 кг (подшипник 23136)
Размеры стандартных сердечников:	для подшипника с внутренним диаметром:
45 x 45 x 215 мм (1.7 x 1.7 x 8.4 д)	65 мм (2.6 д)
28 x 28 x 215 мм (1.1 x 1.1 x 8.4 д)	40 мм (1.6 д)
14 x 14 x 215 мм (0.6 x 0.6 x 8.4 д)	20 мм (0.8 д)

\* $m_{20}$  Величина « $m_{20}$ » представляет собой вес (в кг) самого большого сферического роликоподшипника серии 231, который можно нагреть от 20 до 110°C (от 68 до 230 °F) в течение 20 минут.

### 3. Подключение

Подключение должно осуществляться квалифицированным электриком. Правильное напряжение питания см. п.п. 2.2.

Провода должны быть соединены следующим образом:

ТИН 030m/230V, ТИН 030m/110V	
Цвет провода ТИН 030m	Клемма
Желтый / зеленый	Земля
Голубой	Нейтраль
коричневый	фаза 1

Убедитесь что надлежащая защита подключена. Рекомендации по защите см. в разделе 2.2.

### 4. Подготовка к использованию

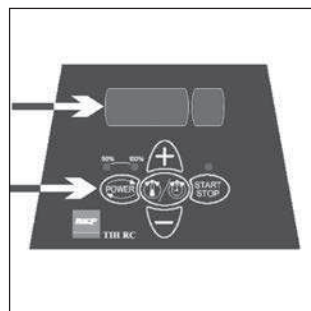
- Поместить ТИН 030m в горизонтальное положение на неподвижной поверхности.
- Подключить к электросети.
- Подключите блок дистанционного управления к нагревателю.
- Для установки детали с достаточно большим внутренним диаметром на индукционную катушку следует выполнить следующие действия:
  - Разместите деталь для нагрева на катушку, используя подходящий инструмент для перемещения.
  - Для большей эффективности нагрева установите деталь так, чтобы центр детали совпадал с центром катушки.
  - Расположите возможно больший сердечник на вертикальных опорах так, чтобы он полностью закрывал верхние срезы опор.
- Для деталей, которые не могут быть размещены непосредственно на индукционной катушке, следует выполнить следующие действия:
  - Выберите наибольший из сердечников, входящих в комплект, который проходит через отверстие детали.
  - При необходимости снимите верхний сердечник ТИН 030m.
  - Установите деталь на выбранный сердечник.
  - Установите сердечник полированной стороной на две опоры.
- При работе в режиме TEMP MODE, подключите датчик температуры к нагревателю. Поместите магнитный держатель датчика на внутреннее кольцо подшипника или внутреннюю поверхность нагреваемой детали.
- Включите ТИН 030m.
- Наблюдайте за изменением показаний на экране и следите за тоновыми сигналами.

## 5. Работа

### 5.1 Функции дисплея

- Выносной контрольный дисплей показывает выбранное время или температуру.
- ЖК дисплей показывает выбранные настройки.

Дисплей	Индикация
t	Время в минутах
°C	Температура в градусах Цельсия
°F	Температура в градусах Фаренгейта



### 5.2 Функции клавиш

Клавиша	Функция
POWER	Нажмите чтобы установить мощность. Выбранная мощность отобразится на экране
MODE	Нажмите для переключения между TIME MODE и TEMP MODE
UP (+)	Нажмите для увеличения значений времени/температуры
DOWN (-)	Нажмите для уменьшения значений времени/температуры
START / STOP	Нажмите для начала/окончания нагрева. Диодный индикатор клавиши START / STOP будет гореть в течение нагрева и мигает в процессе измерения температуры

### 5.3 Режим температуры

- Если на главном экране отображена буква «t», нажмите MODE для выбора режима «TEMP MODE». На главном экране будет отображен значок «°C» или «°F» в режиме «TEMP MODE».
- Выбранная температура отображается на дисплее. По умолчанию установлена оптимальная для нагрева подшипников температура +110 °C. Если необходимо установить другую температуру, то нажмите UP или DOWN для установки требуемого значения с шагом в 1 градус.
- Может возникнуть необходимость нагрева подшипника до температуры свыше 110°C (230 F). Уточните в спецификации подшипников SKF максимальную возможную температуру для данного типа подшипника. Убедитесь, что скорость нагрева не слишком высока, в противном случае скорость расширения внутреннего кольца превысит скорость расширения наружного, произойдет резкое уменьшение внутреннего зазора и, как следствие – повреждение дорожек и телами качения нагреваемого подшипника. См. раздел 5.8.

- Нажмите POWER для выбора уровня мощности. Используйте раздел 5.8 настоящего руководства для правильной настройки мощности.
- Удостоверьтесь, что датчик температуры установлен на внутреннем кольце подшипника.
- Нажмите START / STOP для начала нагрева. На главном экране будет отображаться текущее значение температуры нагреваемого подшипника.
- В течение нагрева температуру можно посмотреть на 1 секунду нажатием MODE.
- Когда выбранная температура будет достигнута, нагреватель автоматически размагнитит нагреваемую деталь, отключится и издаст 10-и секундный звуковой сигнал.
- Нажмите START / STOP для прекращения нагрева.
- Снимите нагретую деталь с помощью специального инструмента.
- Если деталь находится в нагревателе по окончании ее нагрева, то нагреватель возобновит ее нагрев, как только ее температура упадет до 10 °С. Нажмите START / STOP для прекращения нагрева и размагничивания детали.
- Теперь TИH 030m готов к нагреву другой детали с теми же установками.

#### 5.4 Временной режим

- Если главный экран показывает значок «°C» или «°F», нажмите MODE для выбора режима «TIME MODE». На главном экране отобразится буква «t» в режиме «TIME MODE».
- Нажмите UP или DOWN для изменения времени с шагом в 0,1 минуты.
- Нажмите POWER для выбора уровня мощности. Используйте раздел 5.8 настоящего руководства для правильной настройки мощности.
- Нажмите START / STOP для начала нагрева. На главном экране будет отображаться оставшееся время нагрева.
- В течение процесса нагрева температура, измеряемая датчиком, может быть отображена на экране на несколько секунд нажатием MODE.
- Когда время закончится, нагреватель размагнитит деталь, выключится и издаст 10-и секундный звуковой сигнал.
- Нажмите START / STOP для прекращения нагревания.
- Снимите деталь с помощью специального инструмента.
- После этого нагреватель TИH 030m готов к нагреву другой детали при тех же настройках.

#### 5.5 Измерение температуры

Во время работы нагревателя есть возможность измерения температуры нагреваемой детали. Для этого необходимо одновременно нажать MODE и START / STOP при работающем приборе.

Диодный индикатор клавиши START / STOP будет гореть в течение измерения температуры. Для прекращения измерения температуры нажмите клавишу START / STOP.



## 5.6 Выбор температурной шкалы

Для выбора температурной шкалы °C или °F необходимо одновременно нажать MODE и UP. При включении прибора автоматически устанавливается последняя использованная шкала.

## 5.7 Размагничивание

Нагреваемая деталь размагничивается автоматически после окончания нагрева. Размагничивание не будет осуществлено при отсутствии напряжения в цепи питания или принудительного отключении прибора. Используя TИH 090m только для размагничивания, выберите режим «TIME MODE» и установите время 0,1 мин (6 секунд).

## 5.8 Выбор уровня мощности

При нагреве подшипника при помощи индукционного нагревателя внутреннее кольцо нагревается интенсивнее, чем наружное. Затем тепло распространяется по всему подшипнику. Медленный нагрев должен обеспечить более равномерное тепловое расширение деталей подшипника. Поэтому важно, чтобы подшипники с малым внутренним зазором или с преднатягом нагревались медленно для обеспечения минимальной разницы температуры разогрева колец. Форма, вес, внутренний зазор – все эти характеристики также влияют на время, необходимое для нагрева подшипника. Для выбора оптимальных параметров нагрева подшипников различных типоразмеров и конструктивных групп подшипников необходимо выполнять следующие рекомендации:

- Для чувствительных подшипников (включая подшипники с внутренним зазором C1 или C2) или подшипников с латунным сепаратором нежелательно превышать 50% мощности.
- Когда используется малый сердечник нельзя превышать 50% мощности.

## 6. Функции безопасности

TИH 030m оборудован следующими функциями безопасности:

- Автоматическая защита от перегрева.
- Автоматический контроль тока.
- Выключатель от перегрузок по току.
- В режиме «TEMP MODE» нагреватель отключается, если датчик температуры не регистрирует изменение температуры свыше 1°(1.8°F) в течение 15 сек. Для увеличения этого интервала до 30 сек., нажмите MODE и DOWN одновременно.

## 7. Неисправности

Повреждения нагревателя сопровождаются акустическим сигналом и одним из следующих кодов на дисплее:

Дисплей	Неисправность	Лействия
E03 E	Перегрев катушки	Дождитесь охлаждения катушки Выключите нагреватель и затем включите
E05 E	Температура увеличивается менее чем на 1°C (1.8°F) каждые 15 секунд (или 1° каждые 30 секунд)	Проверьте присоединение датчика Если все в порядке, выберите 30 секундный интервал, как описано в разделе 6 или работайте в режиме TIME MODE
E06 E	Температурный датчик не присоединен (или сломан)	Проверьте датчик температуры
E10E	Проблемы электроники	Выключите и включите нагреватель Если проблема повториться, верните нагреватель в SKF для ремонта
E11E	Проблемы электроники	Выключите и включите нагреватель Если проблема повториться, верните нагреватель в SKF для ремонта
E12E	Проблемы электроники	Выключите и включите нагреватель Если проблема повториться, верните нагреватель в SKF для ремонта

## 8. Запасные части

Обозначение	Описание
ТИН 030-P230V	Плата питания 230В - 200 - 240В, 50 - 60 Гц
ТИН 030-P110V	Плата питания 110В - 100 - 120В, 50 - 60 Гц
ТИН 030-Y7	Сердечник 45 x 45 x 215 мм
ТИН 030-Y6	Сердечник 40 x 40 x 215 мм
ТИН 030-Y4	Сердечник 28 x 28 x 215 мм
ТИН 030-Y3	Сердечник 20 x 20 x 215 мм
ТИН 030-Y2	Сердечник 14 x 14 x 215 мм
ТИН 030-YS	Комплект опор сердечника - 45 x 45 x 100 мм (2x)
ТИН CP	Контрольная плата
ТИН RC	Дистанционный блок
ТИН CB10A	Предохранитель 10А для ТИН 030М / 230V
ТИН CB20A	Предохранитель 20А для ТИН 030М / 110V

ТИН P20	Термопара К типа, включая кабель
LGAF 3E/0.035	Тюбик с антифреттинговой пастой для техобслуживания нагревателей

## 9. Техобслуживание

Правильное техобслуживание нагревателя важно для достижения расчётного срока службы изделия, а также обеспечения оптимальных рабочих характеристик и предотвращения возможных рисков для эксплуатации.

Перед использованием изделия:

- Убедитесь в отсутствии повреждений корпуса.
- Убедитесь в отсутствии повреждений штепсельной вилки и изоляции кабеля. При наличии повреждений компоненты подлежат замене.
- Убедитесь в целостности пластины сердечника. При слишком большом отслоении сердечник необходимо заменить на новый во избежание сильных шумов и снижения производительности.
- Убедитесь в плотном контакте верхнего и U-образного сердечников. Поверхность контакта должна быть чистой и без следов ржавчины. Между поверхностями не должно быть воздушных зазоров. Непараллельные поверхности могут стать причиной вибрации и шума, а также снизить производительность.
- Убедитесь в отсутствии повреждений удерживающего устройства (при наличии, для скользящего или поворотного сердечников).
- Убедитесь в отсутствии загрязнений и повреждений термопары, кабеля и штепсельной вилки. В противном случае это может привести к неправильным показаниям температуры и сбоям в работе.

Плановые процедуры или операции, выполняемые по мере необходимости:

- Очистите нагреватель, используя чистую сухую ткань.
- Очистите контактные поверхности между верхним и U-образным сердечниками. Нанесите слой антифреттинговой пасты LGAF 3E для защиты поверхности. Это поможет предотвратить образование ржавчины, снизить уровень шума и сохранить оптимальную производительность нагревателя.
- При необходимости отрегулируйте удерживающее устройство с помощью винтов шарнира.

### RU РУССКИЙ ДОПОЛНИТЕЛЬНАЯ ИНФОРМАЦИЯ

Информация об уполномоченном лице и контактной информации для связи с ним:

000 «СКФ»

121552, город Москва, улица Ярцевская, д.19, Блок А, Этаж 7.

Телефон: +7 495 215-1006

E-mail: SKF.Moscow@skf.com



## Indholdsfortegnelse

EF-overensstemmelseserklæring.....	99
Sikkerhedsforskrifter.....	100
<b>1. Introduktion .....</b>	<b>101</b>
1.1 Tilsigtet anvendelse .....	101
1.2 Funktionsprincip .....	101
1.3 Særlige kendetegn .....	102
<b>2. Beskrivelse.....</b>	<b>102</b>
2.1 Komponenter .....	102
2.2 Tekniske data .....	103
<b>3. Installation af netstik .....</b>	<b>104</b>
<b>4. Klargøring til brug.....</b>	<b>104</b>
<b>5. Drift .....</b>	<b>105</b>
5.1 Displayets funktion .....	105
5.2 Knappernes funktion .....	105
5.3 TEMP MODE .....	105
5.4 Tidstilstand .....	106
5.5 Temperaturmåling .....	106
5.6 Ændring af temperaturenhed .....	106
5.7 Afmagnetisering .....	107
5.8 Valg af effektniveau .....	107
<b>6. Sikkerhedsfunktioner.....</b>	<b>108</b>
<b>7. Fejlfinding .....</b>	<b>108</b>
<b>8. Reservedele .....</b>	<b>109</b>
<b>9. Vedligehold .....</b>	<b>110</b>

Oversættelse af de oprindelige instruktioner

## EU-overensstemmelseserklæring

### TIH 030m

Undertegnede, SKF MPT, Meidoornkade 14, 3992 AE Houten, Holland, erklærer hermed under eneansvar, at produkterne beskrevet i disse betjeningsinstruktioner er i overensstemmelse med betingelserne i følgende Direktiv/er:

EUROPÆISK LAVSPÆNDINGS DIREKTIV 2014/35/EU

EMC DIREKTIVET 2014/30/EU

RoHS DIREKTIVET (EU) 2015/863 and the harmonized standard:

EN IEC 63000:2018: Technical documentation for the assessment of electrical and electronic products with respect to the restriction of hazardous substances.

og er i overensstemmelse med følgende standarder:

EN61000-6-3:2007 /A1:2011

EN61000-6-2:2005

EN61000-4-2

EN61000-4-3

EN61000-4-4

EN61000-4-5

EN61000-4-6

EN61000-4-8

EN61000-4-11

Houten, Holland, Januar 2022



Mrs. Andrea Gondová  
Chef for Kvalitet og Compliance





### Sikkerhedsforskrifter

- Da TIH 030m genererer et magnetfelt, må personer med pacemaker ikke opholde sig inden for en afstand på 5 m fra TIH 030m under drift. Elektronisk udstyr som f.eks. armbåndsure kan også påvirkes.
- Under opvarmningsprocessen skal der holdes en sikkerhedsafstand på 50 cm til emnet, induktionsspolen eller kernen.
- Følg altid betjeningsvejledningen.
- Sørg for, at spændingsforsyningen er korrekt.
- Der kan opstå en elektrisk lysbue, når der forekommer potentialforskel mellem TIH 030m og emnet. Dette er ikke farligt for mennesker og vil ikke beskadige TIH 030m eller emnet. Dog må TIH 030m aldrig bruges i områder med eksplosionsfare.
- Udsæt ikke TIH 030m for høj fugtighed.
- Brug aldrig TIH 030m, uden at et åg er på plads.
- Brug aldrig TIH 030m, mens kablet til fjernbetjeningen er placeret mellem ågets lodrette støtter.
- Modificer ikke TIH 030m.
- Brug korrekt håndteringsudstyr, når du løfter tunge emner.
- Undgå kontakt med varme emner. Brug de medfølgende varmebestandige handsker, når du håndterer varme emner.

# 1. Introduktion

Induktionsvarmeren SKF TIH 030m er konstrueret til opvarmning af lejer, der monteres med prespasning på akslen. Varmen får lejet til at udvide sig, hvilket eliminerer behovet for montagekraft under installationen. En temperaturforskel på 90 °C mellem lejet og akslen er generelt tilstrækkelig til at foretage installation. Ved en omgivelsestemperatur på 20 °C skal lejet derfor opvarmes til 110 °C.

## 1.1 Tilsigtet anvendelse

TIH 030m er konstrueret til opvarmning af rulningslejer. Dog kan den også bruges til opvarmning af andre metalemner, der danner en lukket kreds. Eksempler på mulige emner omfatter bøsninger, krymperinge, remskiver og gear. Alle lejer, der passer over induktionsspolen og mellem de lodrette støtter med det øverste åg på plads, kan opvarmes med TIH 030m. Desuden kan mindre lejer placeres over et hvilket som helst af de tre standardåg. Se illustrationerne i begyndelsen af denne vejledning for at få vist nogle eksempler.

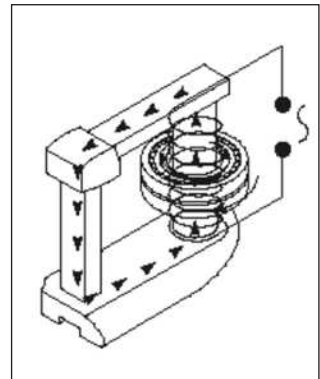
## 1.2 Funktionsprincip

TIH 030m genererer varme ved hjælp af en stærk elektrisk strøm, der induceres magnetisk i emnet via en spole i induktionsvarmeren.

Den svage strøm med høj spænding løber igennem et stort antal vindinger i induktionsspolen og inducerer en strøm med høj styrke men lav spænding i emnet.

Da emnet har de samme elektriske karakteristika som en spole med en enkelt kortsluttet vinding, genererer den høje strømstyrke varme i emnet.

Da varmen genereres inde i emnet, bliver varmerens komponenter ikke varme.



### 1.3 Særlige kendetegn

- **Fjernbetjeningspanel**

For at forbedre brugervenligheden og mindske risikoen for kontakt med det varme leje under brugen af varmeren er TIH 030m udstyret med et fjernbetjeningspanel, der kan afmonteres fra varmeren.

- **Induktionsspole**

Når emnet opvarmes, er det placeret samme sted på kernen som induktionsspolen.

Denne konstruktion forbedrer effektiviteten, hvilket medfører lavere elforbrug og hurtigere opvarmning, så omkostningerne forbundet med opvarmning af hvert enkelt leje reduceres.

- **Udfoldelige lejestøtter**

For at støtte et stort leje, der er placeret rundt om induktionsspolen, er induktionsvarmeren TIH 030m udstyret med lejestøtter, der kan foldes ud. Se illustrationerne i begyndelsen af denne vejledning.

- **Opbevaring af åg**

Alle tre åg kan opbevares inde i varmeren. To opbevaringspladser til åg er placeret bag ved de udfoldelige lejestøtter. Det lille og det mellemste åg kan opbevares på opbevaringspladsen ved siden af varmerens afbryder.

Det store åg kan opbevares på opbevaringspladsen ved varmerens elkabel.

Se illustrationerne i begyndelsen af denne vejledning.

## 2. Beskrivelse

Varmerens drift styres af den indbyggede elektronik og har to funktionstilstande.

Operatøren kan enten vælge den ønskede lejetemperatur i tilstanden

TEMP MODE eller indstille, hvor lang tid lejet skal opvarmes, i TIME MODE.

Effektniveauet kan justeres til 100% eller 50% for en langsommere opvarmning af følsomme emner (f.eks. lejer med C1- eller C2-slør).

### 2.1 Komponenter

Induktionsvarmeren TIH 030m indeholder en U-formet jernkerne med en induktionsspole, der omgiver den ene af de lodrette støtter. Et aftageligt fjernbetjeningspanel medfølger.

Fjernbetjeningens elektronik og den indbyggede elektronik styrer driften af varmeren.

Et aftageligt åg oven på de lodrette støtter gør det muligt at placere emnet oven på

varmeren. For at gøre det muligt at placere mindre arbejdsemner medfølger der to mindre åg. En temperatursensor følger også med varmeren. Desuden medfølger varmebestandige handsker.



## 2.2 Tekniske data

TIH 030m	
Spænding ( $\pm 10\%$ )	230 V/50-60 Hz eller 110 V/50-60 Hz
Anbefalet sikring	10 A sikringsklasse til 230 V 20 A sikringsklasse til 110 V
Strømforbrug (maksimum)	2,0 kVA
Temperaturstyring	0-250 °C i trin af 1°
Sensortype	Termoelement, K-type
Sensorens maksimumtemperatur	250 °C
Tidstilstand	0-60 minutter i trin af 0,1 minut
Effektområde	100%-50%
Afmagnetisering	automatisk; restmagnetisme <2A/cm
Hovedmål (b × d × h)	460 × 200 × 260 mm
Område mellem støtter (b × h)	100 × 135 mm
Spolediameter	95 mm Til en minimal lejhuldiameter på 100 mm
Vægt (med åg)	20,9 kg
Emnes maksimale vægt	leje: 40 kg; massiv komponent: 20 kg
Maksimal opvarmningstemperatur	ca. 250 °C Afhængigt af lejets eller emnets vægt. Ved højere temperaturer bedes du kontakte SKF.
$m_{20}^*$	28 kg (leje 23136)
Standardmål på åg	Til en minimal lejhuldiameter på:
45 × 45 × 215 mm	65 mm
28 × 28 × 215 mm	40 mm
14 × 14 × 215 mm	20 mm

\* $m_{20}$  angiver vægten (kg) på det tungeste SRB 231-leje, der kan opvarmes fra 20 til 110 °C på 20 minutter.

### 3. Installation af netstik

En autoriseret elektriker skal installere et egnet netstik. Den korrekte forsyningsspænding oplyses i afsnit 2.2.

Ledningerne skal forbindes som følger:

TIH 030m/230V, TIH 030m/110V	
Farve på TIH 030m-ledning	Netterminal
gul/grøn	jord
blå	neutral
brun	fase 1

Kontrollér, at den korrekte sikring er installeret. Se specifikationerne for sikringsklasse i afsnit 2.2.

### 4. Klargøring til brug

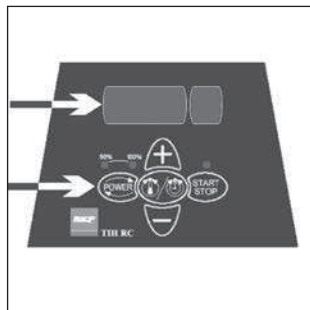
- Placer TIH 030m i vandret position på et stabilt underlag.
- Tilslut stikkontakten til en egnet netspænding.
- Slut fjernbetjeningen til det stik, der sidder på den side af varmeren, hvor bærehåndtaget sidder.
- Ved emner med en indvendig diameter, der er stor nok til at passe over induktionsspølen, skal nedenstående fremgangsmåde følges:
  - Placer emnet over induktionsspølen ved hjælp af passende løfteudstyr.
  - For at opnå optimal ydeevne skal emnets placering justeres, så induktionsspølen sidder i midten.
  - Placer det største åg, så det fuldstændig dækker toppen på begge de lodrette støtter.
- Ved emner, der ikke passer over induktionsspølen, skal nedenstående fremgangsmåde følges:
  - Vælg det største af de tre åg, der passer gennem emnets indvendige diameter.
  - Fjern om nødvendigt det øverste åg fra TIH 030m.
  - Skub emnet ind på det valgte åg.
  - Placer åget på TIH 030m, så den lyse underside hviler jævnt på de to lodrette støtter.
- Hvis du vil anvende TEMP MODE, skal du sætte temperatursensoren i stikket på den side af varmeren, hvor bærehåndtaget sidder. Placer sensorens magnetende på lejets inderring eller på emnets inderside.
- Tænd for TIH 030m.
- Vær opmærksom på selvtesten på fjernbetjeningsdisplayet og signaltonen.

## 5. Drift

### 5.1 Displayets funktion

- Fjernbetjeningsdisplayet viser den tid eller temperatur, der er valgt for opvarmningen.
- LED-indikatorerne viser den valgte effektindstilling.

Display	Visning
t	tid i minutter
°C	temperatur i grader Celsius
°F	temperatur i grader Fahrenheit



### 5.2 Knappernes funktion

Knap	Funktion
POWER	Tryk på denne knap for at justere effekten. Den valgte effekt vises med en LED-indikator
MODE	Tryk på denne knap for at skifte mellem TIME MODE (TIDSTILSTAND) og TEMP MODE (TEMPERATURTILSTAND).
UP (+)	Tryk på denne knap for at øge den viste værdi på fjernbetjeningsdisplayet.
DOWN (-)	Tryk på denne knap for at sænke den viste værdi på fjernbetjeningsdisplayet.
START/STOP	Tryk på denne knap for at starte eller stoppe varmeren. LED'en på START/STOP-knappen lyser, når varmeren opvarmer, og blinker under temperaturmåling.

### 5.3 TEMP MODE

- Hvis fjernbetjeningsdisplayet viser "t", skal du trykke på MODE for at vælge TEMP MODE. Fjernbetjeningsdisplayet viser °C eller °F i TEMP MODE.
- Den valgte temperatur vises på fjernbetjeningsdisplayet. Standardtemperaturen for lejer er 110 °C. Hvis en anden temperatur ønskes, skal du trykke på UP eller DOWN for at justere temperaturen i trin af 1°.
- Det kan være ønskeligt at opvarme lejerne til temperaturer over 110 °C ved øget monterings- og nedtagningstid. Se SKF's lejespecifikationer for at bestemme den maksimalt tilladte temperatur. Sørg altid for, at lejet ikke låser sig fast på grund af for stor udvidelse af inderringen i forhold til yderringen. Se afsnit 5.8.
- Tryk på POWER efter behov for at vælge effektniveauet. Følg retningslinjerne i afsnit 5.8 for at bestemme den korrekte effektindstilling.
- Sørg for, at temperatursensoren er fastgjort på lejets inderring.

- Tryk på START/STOP-knappen for at starte varmeren. Fjernbetjeningsdisplayet viser emnets aktuelle temperatur.
- Under opvarmning kan du få vist den valgte temperatur i 1 sekund ved at trykke på MODE.
- Når den valgte temperatur er nået, afmagnetiserer varmeren emnet, slukker og afgiver et lydssignal i 10 sekunder, eller indtil du trykker på START/STOP.
- Tryk på START/STOP for at stoppe varmeren.
- Fjern emnet med korrekt håndteringsudstyr.
- Hvis emnet bliver siddende på varmeren, vil varmeren starte igen, når emnets temperatur falder 10 °C. Tryk på START/STOP for at stoppe varmeren og afmagnetisere emnet.
- TIH 030m er nu klar til at opvarme et nyt emne med de samme indstillinger.

## 5.4 Tidstilstand

- Hvis fjernbetjeningsdisplayet viser °C eller °F, skal du trykke på MODE for at vælge TIME MODE. Fjernbetjeningsdisplayet viser "t" i TIME MODE.
- Tryk på UP eller DOWN for at justere tiden i trin af 0,1 minut.
- Tryk på POWER for at vælge effektniveauet. Følg retningslinjerne i afsnit 5.8 for at bestemme den korrekte effektindstilling.
- Tryk på START/STOP-knappen for at starte varmeren. Fjernbetjeningsdisplayet viser den tid, der er tilbage.
- Under opvarmning kan du i nogle sekunder få vist den temperatur, der måles af temperatursensoren, ved at trykke på MODE.
- Når den valgte tid er gået, afmagnetiserer varmeren emnet, slukker og afgiver et lydssignal i 10 sekunder.
- Tryk på START/STOP for at annullere lydssignalet og stoppe varmeren.
- Fjern emnet med korrekt håndteringsudstyr.
- TIH 030m er nu klar til at opvarme et nyt emne med de samme indstillinger.

## 5.5 Temperaturmåling

Når varmeren ikke er i drift, kan emnets temperatur måles ved at trykke på MODE og START/STOP samtidig.

LED'en på START/STOP-knappen blinker under temperaturmålingen.

Tryk på START/STOP for at annullere målingen.

## 5.6 Ændring af temperaturenhed

Tryk på MODE og UP samtidig for at skifte mellem °C og °F.

Den indstillede temperaturenhed gemmes, selv efter at strømmen har været afbrudt.

## 5.7 Afmagnetisering

Emnet afmagnetiseres automatisk, når opvarmningen er gennemført.

Afmagnetiseringen sker ikke, hvis strømmen afbrydes, eller hvis enheden slukkes på hovedkontakten. For udelukkende at bruge TIH 030m til afmagnetisering skal du vælge TIME MODE og indstille tiden til 0,1 minut (6 sekunder).

## 5.8 Valg af effektniveau

Ved opvarmning af lejer med en induktionsvarmer genereres det meste af varmen i den inderste lejering. Varmen overføres derefter gennem lejet. Det er derfor vigtigt, at lejer med et lille indvendigt slør eller en let forspænding opvarmes langsomt. Langsom opvarmning sikrer, at lejet udvider sig jævnt, hvilket forhindrer skader på lejet.

Formen, vægten, størrelsen og indvendigt slør påvirker alt sammen, hvor lang tid der kræves for at opvarme et leje. Det store udvalg af lejetyper gør det umuligt at angive en bestemt indstilling af effektniveau for hver type. I stedet findes der følgende retningslinjer:

- Ved følsomme lejer (herunder lejer med indvendigt C1- eller C2-slør) eller lejer med messingholder må effektniveauet ikke overstige 50%.
- Ved brug af et lille åg må effektniveauet aldrig overstige 50%.

## 6. Sikkerhedsfunktioner

TIH 030m er udstyret med følgende sikkerhedsfunktioner:

- Automatisk overophedningsbeskyttelse
- Automatisk strømstyring
- Overstrømskredsafbryder.
- Når varmeren er indstillet til TEMP MODE, slukker den, hvis temperatursensoren ikke registrerer en temperaturstigning på 1 °C hvert 15. sekund (0,25 minut). For at øge intervallet til 30 sekunder (0,50 minut) skal du trykke på MODE og DOWN samtidig.

## 7. Fejlfinding

En systemfejl indikeres med et lydsignal og en af de følgende fejlkoder på fjernbetjeningsdisplayet:

Display	Fejl	Handling
E03 E	Overophedet spole	Vent, indtil induktionsspolen køler ned. Sluk for varmeren, og tænd den derefter igen.
E05 E	Temperaturstigning mindre end 1°C hvert 15. sekund (eller 1° hvert 30. sekund)	Kontrollér temperatursensorens tilslutning. Hvis tilslutningen er OK, skal du vælge 30-sekund-intervallet som beskrevet i afsnit 6 eller køre varmeren i TIME MODE.
E06 E	Temperatursensor ikke tilsluttet (eller er defekt) eller for stort varmefald	Kontrollér temperatursensoren.
E10E	Problem med elektronisk kommunikation	Sluk for varmeren, og tænd den derefter igen. Hvis problemet fortsætter, skal du indlevere TIH til reparation hos SKF.
E11E	Problem med elektronisk kommunikation	Sluk varmeren, og tænd den derefter igen. Hvis problemet fortsætter, skal du indlevere TIH til reparation hos SKF.
E12E	Problem med elektronisk kommunikation	Sluk varmeren, og tænd den derefter igen. Hvis problemet fortsætter, skal du indlevere TIH til reparation hos SKF.

## 8. Reservedele

Betegnelse	Beskrivelse
TIH 030-P230V	Printkort til effektstyring 230V - 200 - 240V, 50 - 60 Hz
TIH 030-P110V	Printkort til effektstyring 110V - 100 - 120V, 50 - 60 Hz
TIH 030-Y7	Åg 45 × 45 × 215 mm
TIH 030-Y6	Åg 40 × 40 × 215 mm
TIH 030-Y4	Åg 28 × 28 × 215 mm
TIH 030-Y3	Åg 20 × 20 × 215 mm
TIH 030-Y2	Åg 14 × 14 × 215 mm
TIH 030-YS	Støtteågsæt - 45 × 45 × 100 mm (2×)
TIH CP	Styreprint
TIH RC	Fjernbetjening
TIH CB10A	Kredsryder 10 A til TIH 030M/230 V
TIH CB20A	Kredsryder 20 A til TIH 030M/110 V
TIH P20	Temperatursensor K-type inkl. kabel og stik
LGAF 3E/0.035	Tube med anti-fretting pasta til vedligehold af induktionsvarmere

## 9. Vedligehold

Korrekt vedligehold af induktionsvarmeren er vigtigt for at sikre, at produktet holder i hele den beregnede levetid, for at sikre optimal ydeevne og for at undgå relaterede risici.

Det anbefales at følge nedenstående råd, før produktet tages i brug:

- Kontrollér, at kabinettet er fri for skader.
- Kontrollér, at kablets isolering og stikket er fri for skader. Hvis de har skader, skal de udskiftes.
- Kontrollér, at lamineringen på åget ikke er defekt. Hvis der er tegn på kraftig delaminering, skal du udskifte åget med et nyt for at undgå kraftig støj og effektivitetstab.
- Kontrollér, at åget har god kontakt med den U-formede kerne. Kontaktområdet skal være rent og fri for rust. Der må ikke være luftmellemrum mellem overfladerne. Ikke-parallele overflader kan generere vibrationer og kraftig støj samt forårsage effektivitetstab.
- Kontrollér, at lukkemekanismen (hvis der er monteret forskydelige skinner eller drejeligt hængsel) er fri for skader.
- Kontrollér, at temperatursensoren, kablet og stikket er rene og fri for skader. I modsat fald fungerer temperaturmåling og -styring muligvis ikke korrekt.

Udfør følgende handlinger efter behov og med regelmæssige mellemrum:

- Rengør induktionsvarmeren med en ren, tør klud.
- Rengør kontaktfladerne mellem åget og den U-formede kerne. Påfør et lag LGAF 3E-antifrikionspasta for at beskytte overfladerne. Det er med til at holde overfladerne fri for rust, reducere støjen fra induktionsvarmeren og bevare effektiviteten.
- Juster den drejelige lukkemekanisme efter behov ved at stramme skruerne på hængslet.









The contents of this publication are the copyright of the publisher and may not be reproduced (even extracts) unless prior written permission is granted. Every care has been taken to ensure the accuracy of the information contained in this publication but no liability can be accepted for any loss or damage whether direct, indirect or consequential arising out of the use of the information contained herein.

Nachdruck, auch auszugsweise, nur mit unserer vorherigen schriftlichen Genehmigung gestattet. Die Angaben in dieser Druckschrift wurden mit größter Sorgfalt auf ihre Richtigkeit hin überprüft. Trotzdem kann keine Haftung für Verluste oder Schäden irgendwelcher Art übernommen werden, die sich mittelbar oder unmittelbar aus der Verwendung der hier enthaltenen Informationen ergeben.

El contenido de esta publicación es propiedad de los editores y no puede reproducirse (incluso parcialmente) sin autorización previa por escrito. Se ha tenido el máximo cuidado para garantizar la exactitud de la información contenida en esta publicación, pero no se acepta ninguna responsabilidad por pérdidas o daños, ya sean directos, indirectos o consecuentes, que se produzcan como resultado del uso de dicha información.

Le contenu de cette publication est soumis au copyright de l'éditeur et sa reproduction, même partielle, est interdite sans autorisation écrite préalable. Le plus grand soin a été apporté à l'exactitude des informations données dans cette publication mais SKF décline toute responsabilité pour les pertes ou dommages directs ou indirects découlant de l'utilisation du contenu du présent document.

La riproduzione, anche parziale, del contenuto di questa pubblicazione è consentita soltanto previa autorizzazione scritta della SKF. Nella stesura è stata dedicata la massima attenzione al fine di assicurare l'accuratezza dei dati, tuttavia non si possono accettare responsabilità per eventuali errori od omissioni, nonché per danni o perdite diretti o indiretti derivanti dall'uso delle informazioni qui contenute.

O conteúdo desta publicação é de direito autoral do editor e não pode ser reproduzido (nem mesmo parcialmente), a não ser com permissão prévia por escrito. Todo cuidado foi tomado para assegurar a precisão das informações contidas nesta publicação, mas nenhuma responsabilidade pode ser aceita por qualquer perda ou dano, seja direto, indireto ou consequente como resultado do uso das informações aqui contidas.

Содержание этой публикации является собственностью издателя и не может быть воспроизведено (даже частично) без предварительного письменного разрешения. Несмотря на то, что были приняты все меры по обеспечению точности информации, содержащейся в настоящем издании, издатель не несет ответственности за любой ущерб, прямой или косвенный, вытекающий из использования вышеуказанной информации.

本出版物内容的著作权归出版者所有且未经事先书面许可不得被复制(甚至引用)。我们已采取了一切注意措施以确定本出版物包含的信息准确无误,但我们不对因使用此等信息而产生的任何损失或损害承担任何责任,不论此等责任是直接、间接或附随性的。

Gengivelse eller kopiering (også i uddrag) af denne tryksag er ikke tilladt uden skriftlig godkendelse fra SKF. Oplysningerne i denne tryksag er nøje gennemgået og kontrolleret, men SKF kan ikke påtage sig noget ansvar for eventuelle tab eller skader opstået direkte eller indirekte som en konsekvens af anvendelse af de, i denne tryksag, angivne oplysninger.